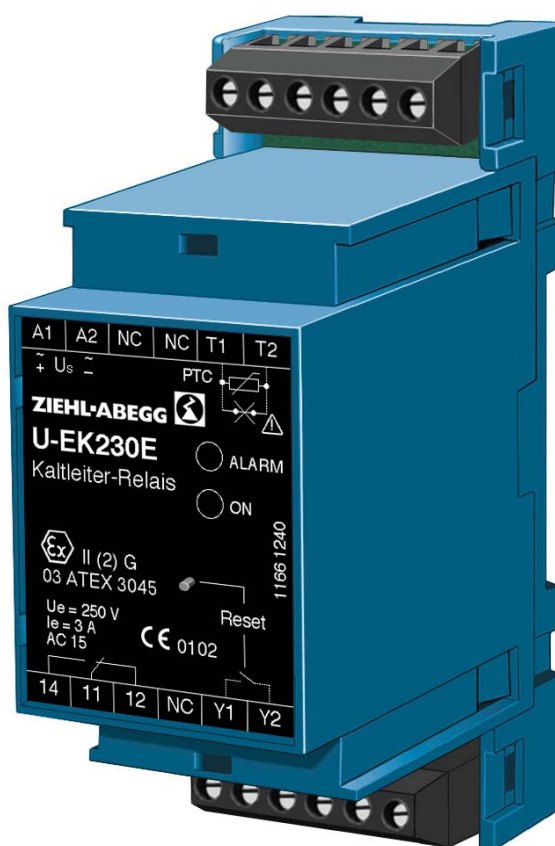


## Type U-EK230E

Part-No. 382000

## Motor protection - and releasing unit (PTC-relay)



Manufacturer:

Ziehl-Abegg AG  
Heinz-Ziehl-Straße  
D-74653 Künzelsau  
Phone +49 (0) 7940 16-0  
Fax +49 (0) 7940 16-504  
<http://www.ziehl-abegg.de>  
[info@ziehl-abegg.de](mailto:info@ziehl-abegg.de)

Since year of construction: 2003

# Motor protection - and releasing unit (PTC-relay)

## Contents

<b>1. GENERAL .....</b>	<b>2</b>
1.1 SAFETY INFORMATION .....	2
1.2 TRANSPORT, STORAGE.....	3
<b>2. MANUFACTURER'S ADDRESS, SERVICE ADDRESS .....</b>	<b>3</b>
<b>3. DESCRIPTION .....</b>	<b>3</b>
3.1 APPLICATION.....	3
3.2 TECHNICAL DATA.....	3
3.3 DETAILED DESCRIPTION.....	4
<b>4. INSTALLATION / COMMISSIONING .....</b>	<b>5</b>
4.1 PUTTING INTO OPERATION .....	5
4.2 SPECIAL REMARKS FOR HAZARDOUS AREAS! .....	6
4.2.1 <i>Special remarks for category 1 of EN 954-1.</i> .....	6
4.2.2 <i>Wiring</i> .....	6
4.2.3 <i>Safe separation</i> .....	6
4.2.4 <i>Stop Function, Stop category 0</i> .....	7
4.2.5 <i>Start and restart</i> .....	7
4.2.6 <i>Manual resetting</i> .....	7
4.2.7 <i>Special remarks for category 2 of EN 954-1.</i> .....	7
<b>5. MAINTENANCE AND REPAIR .....</b>	<b>7</b>
5.1 TROUBLE-SHOOTING AND REMEDIES .....	7
<b>6. ENCLOSURE .....</b>	<b>8</b>
6.1 CONNECTION DIAGRAM.....	8
6.2 DIMENSIONS .....	8

## 1. General

### 1.1 Safety information

- Installation, electrical connection and commissioning to be carried out by trained service personnel only. The specifications of the manufacturer or supplier, and instructions relating to the equipment, should be rigidly adhered to. Failure to comply with these conditions will invalidate the guarantee on our controllers and accessories.
- It is strictly forbidden for work to be carried out on any components while they are connected to live voltage. The open equipment is protected to IP00. It is possible to come into direct contact with dangerous voltages.
- During operation the equipment must be closed or installed in a switching cabinet.
- Fuses must be replaced and not repaired or bridged.
- Fuse values must be carefully noted.
- Check to ensure voltage is not applied to input terminals prior to commencing work with controller.
- The equipment is to be used solely for the purposes specified and confirmed in the order. Other uses which do not coincide with, or which exceed those specified will be deemed unauthorised unless contractually agreed. Damages resulting from such unauthorised uses will not be the liability of the manufacturer. The user will assume sole liability.

## Motor protection - and releasing unit (PTC-relay)

### 1.2 Transport, storage

- Ziehl-Abegg units are suitably packed at the factory to comply with the requirements of the mode of transport agreed.
- The controller must be transported in its original packaging.
- During manual handling the human lifting and carrying restrictions must be observed and adhered to.
- Be alert to any damage to the packaging or the unit.
- The unit should be stored in its original packaging, in a dry area protected from the weather, or it should be protected from dirt and the effects of weather until such time as it is finally installed.
- Exposure to extreme heat or cold should be avoided.

### 2. Manufacturer's address, service address

If you have any questions concerning the use of our products or if you intend to use our products for special applications, please contact us:

**ZIEHL-ABEGG AG**  
**Heinz-Ziehl-Straße**  
**D-74653 Künzelsau**  
**Phone +49 (0) 7940 16-0**  
**Fax +49 (0) 7940 16-504**  
**e-mail: [info@ziehl-abegg.de](mailto:info@ziehl-abegg.de)**  
**Internet: <http://www.ziehl-abegg.de>**

### 3. Description

#### 3.1 Application

Ziehl-Abegg PTC-resistor relays protect motors, transformers, machines and equipment against thermal overload.

These are according to DIN VDE 0660 chapter 303 and are thus exchangeable.

Used in conjunction with respective PTC-resistor temperature sensors, they provide an effectively and reliable protection in case of

- blocking rotors, heavy starts, countercurrent operation
- undervoltage and phase failure
- increased ambient temperature and hindered cooling

#### 3.2 Technical data

##### Power supply

Rated supply voltage Us	AC 220-240 V
Tolerance voltage Us	0.9 Us – 1.1 Us
Frequency (AC)	50 / 60 Hz
Tolerance frequency	45 - 62 Hz
Power consumption	<2 VA

##### PTC-resistor connection

Number	PTC-sensor according to DIN 44081 / DIN 44082
Cut-out-point	set with 1 ... 6 PTCs in series
Reclosing point	3.3 kΩ...3.65 kΩ...3.85 kΩ
Response tolerance	1.7 kΩ...1.8 kΩ ...1.95 kΩ
Collective resistance cold sensors	±6° C
Terminal voltage (sensors)	≤1.65 kΩ
Terminal current (sensors)	≤ 2.5 V at R ≤3.65 kΩ, ≤ 9 V at R = ∞
Short circuit	<1 mA
Power consumption	20 Ω ≤R ≤40 Ω
	<2 mW

**Motor protection - and releasing unit (PTC-relay)**

<u>Relay output</u>	EN 60947-5
Contacts	1 change-over contact
Switching voltage	max. AC 415 V
Switching current	max. 6 A
Switching power AC cos = 1	max. 2000 VA (ohm resistive load) max. 120 W at DC 24 V
Rated operational current (I <sub>e</sub> )	3 A AC15 250 V; 2 A DC13 24 V
Recommended fuse	3.15 A gl (slow)
Mechanical contact life	3x 10 <sup>7</sup> operations
Electrical contact life	1x 10 <sup>5</sup> operations at 240 V / 6 A
Factor of reduction at cos=0,3	0.5 of max. switching capacity
<u>Testing conditions</u>	EN 60 947
Rated impulse voltage	4000 V
Overvoltage category	III
Contamination level	3
Rated insulation voltage U <sub>i</sub>	250 V
Transformer	EN 61558-2-6 (VDE 0551)
On-period	100 %
Rated ambient temperature range	-20 ... +55° C
Request class DIN 19251	EN 60068-2-1 Dry Heat AK 3
EMC - Immunity	EN 61000-6-2
EMC - Emission	EN 50 081-1
Vibration resistance EN 60068-2-6	2...25 Hz ±1.6 mm 25...150 Hz 5 g

**3.3 Detailed description**

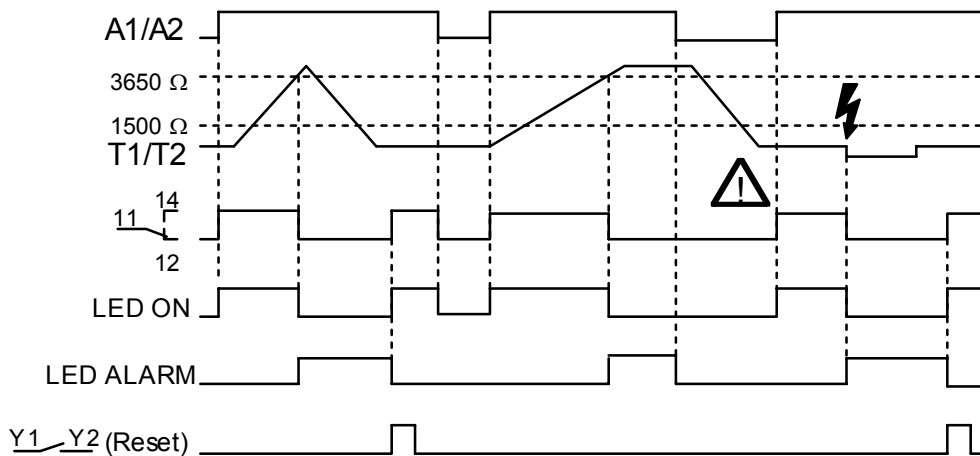
A current monitors continuously the resistance of the sensors. In cold state, the resistance is <250 Ω per temperature sensor (sensor circuit <1.5 kΩ). The relay has picked up and contacts 11/14 are closed. The resistance of the sensor rises rapidly at nominal response temperature NRT. The relay release at a resistance of 3...4 kΩ and the contacts 11/12 close. The devices also switch off in the case of sensor or line short-circuit (<approx. 20 Ω). Release devices types U-EK230E store the switch-off and must be reset (to be acknowledged) manually with the built-in key or an external tracer. Power-on is recognized as an automatic reset.



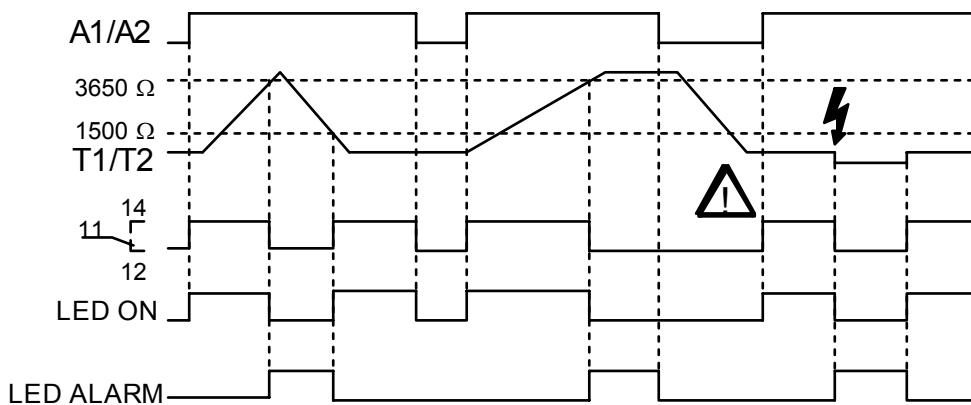
With a bridge at the RESET inputs (Y1/Y2) the reclosing lock is out of operation. The device switches back automatically, when the temperature of the sensor circuit has fallen below the switchback value.

**Function diagram**

U-EK230E



Jumper Y1, Y2 (auto reset)



**4. Installation / commissioning**

**4.1 Putting into operation**

- The applicant must observe safety rules and standards.
- The device can be mounted on 35 mm rail according EN 50022 or with screws M4.
- The devices must be installed within rooms of international protection class IP 5x or better.
- When installing the device into the switchgear cabinet, please observe the max. admissible temperature. Care for both, sufficient clearance to other devices or sources of heat or enough forced draught. Generally recommended minimum clearance: 10 mm. If cooling is made more difficult, e.g. close devices with increased surface temperature or by handicap of airflow cooling, the permissible ambient temperature has to be reduced.



**Attention!**

**Before switching on make sure that the operational voltage  $U_s$  of the type- plate and the mains voltage are the same!!**

## Motor protection - and releasing unit (PTC-relay)

### 4.2 Special remarks for hazardous areas!

The increased danger within hazardous areas requires the careful attention of the safety instructions and references for putting into operation. Observe the national safety rules and regulations for prevention of accidents as well as the European standard EN 60079-14 „Electrical apparatus for explosive gas atmospheres - Part 14: Electrical installations in hazardous areas (other than mines)“. All work for the connection, for putting into operation and maintenance is to be implemented by qualified, responsible technical personnel. Inappropriate behaviour can cause heavy personal damage and damages to property.

The response of the thermal motor protection must directly switch off the motor, also when used together with converters. This must be realized in the logic section or configuration in the converter.

The tripping device variants of types MS 220 KA and MSR 220 KA may be installed only outside potentially explosive atmospheres for the protection of explosive-protected motors. Within potentially explosive atmospheres the equipment is to be provided with a pressurized enclosure accd. EN 60079-2.

#### 4.2.1 Special remarks for category 1 of EN 954-1.

Safety-related parts of category 1 must be arranged and built using proven constructions and proven safety principles. The loss of the safety function is possible in the case of an error.

#### 4.2.2 Wiring

**The lines of the sensor circuit are to be routed as separate control lines. The use of lines of the supply cable or other mainstream lines is not permissible. If extreme inductive or capacitive stray effects are to be expected by parallel cables of the power installation, protected control lines should be used.**

- Used with electronic speed regulation the sensor lines must be routed separately from the power lines, in order to avoid EMC distortion and thus false signal release.

The terminals Y1, Y2 may be attached parallel to a common resetting mechanism. Sensor lines may not be connected together.

The line resistance within the sensor circuit may not exceed a value of 20  $\Omega$ .

Maximum of permissible length for sensor circuit lines:

Wire cross section	Wire length
2.5 mm <sup>2</sup>	2x 1000 m
1.5 mm <sup>2</sup>	2x 800 m
1.0 mm <sup>2</sup>	2x 500 m
0.75 mm <sup>2</sup>	2x 300 m
0.5 mm <sup>2</sup>	2x 250 m

With commissioning and after modification of the plant the sensor resistance should be measured with a suitable measuring instrument. With a resistance <50  $\Omega$  the sensor circuit is to be examined for short-circuit.



**Attention! Check PTCs only with measuring voltages of <2.5 V.**

#### 4.2.3 Safe separation

- Line circuits (A1, A2, 11,12,14) have a safe separation to low-voltage electric circuits (T1, T2, Y1, Y2).

## Motor protection - and releasing unit (PTC-relay)

### 4.2.4 Stop Function, Stop category 0

- A stop function released by the protection device must transfer the machine after manipulation of this function as fast as possible into a safe condition. The stop function must have priority before an operating stop.
- In case of failure the relay switches off the contactor/circuit breaker and so prevents an overheating of the isolation system and/or the surface temperature. The protective function of the equipment is guaranteed only if wiring is done directly into the control circuit of the motor/machine in accordance with the connection diagram. The contacts must be protected, in order to prevent welding.

### 4.2.5 Start and restart



**A restart may take place automatically only if no dangerous condition can be present. With a bridge at terminals Y1, Y2 (auto reset) the tripping devices switch-on automatically after cooling down. This function may not be used, where an unexpected restart can lead to damages to property or person.**

### 4.2.6 Manual resetting

- After introducing a stop instruction by the protection device this must be maintained, until the manual resetting mechanism is operated and safe conditions for a renewed start are given. The manual resetting may be only possible, if all safety functions and protection device are effective.
- Trip devices types U-EK230E have an interlock function. The stop instruction remains, until pressing the push-button „Reset“ a reset is made. A start-up is only possible, if no case of failure occurs and the motor is cooled down to a sufficient value of temperature. Trip devices type U-EK230E switch on automatically with return of mains voltage. The user must guarantee by external interlock (see connection diagram) so the supervised motor/machine does not start again independently or monitor the power supply.

### 4.2.7 Special remarks for category 2 of EN 954-1.

The requirements of category 1 must be fulfilled. The safety function must be tested once annually. Depending on the zone risk, tests should be conducted more frequently. Testing of the safety function is required at least with every start-up. A fault between safety tests could cause loss of protection.

- The safety function must be tested by interrupt the sensor circuit wire at terminals T1, T2.
- The short circuit monitoring function must be tested by bridging the sensor circuit wires at terminals T1, T2.
- The function of the electronic interlock must be tested additionally.
- **If an error is detected no restart must be induced until the error is cleared.**

## 5. Maintenance and repair

The devices are maintenance-free. Only the manufacturer may accomplish repairs. EN 60079-17 is to be observed.

### 5.1 Trouble-shooting and remedies

Relay does not pick up. Please check:

- The supply voltage  $U_s$  at terminals A1-A2. (green LED shines).
- The PTCs at terminals T1-T2. In the case of disturbance the red LED shines.
- The resistance of a PTC circuit must be at  $50 \Omega < R < 1500 \Omega$ . The terminal voltage T1-T2 is to be measured  $< 2.5 \text{ V}$  with connected PTC  $< 1500$ .
- Push the Reset button. The relay can pick up at resistance  $R < 1.65 \text{ k}\Omega$ . LED (or RESET button) changes from red to green. Alternatively reset can be done with closing an external contact at terminals Y1-Y2 or with power recovery.

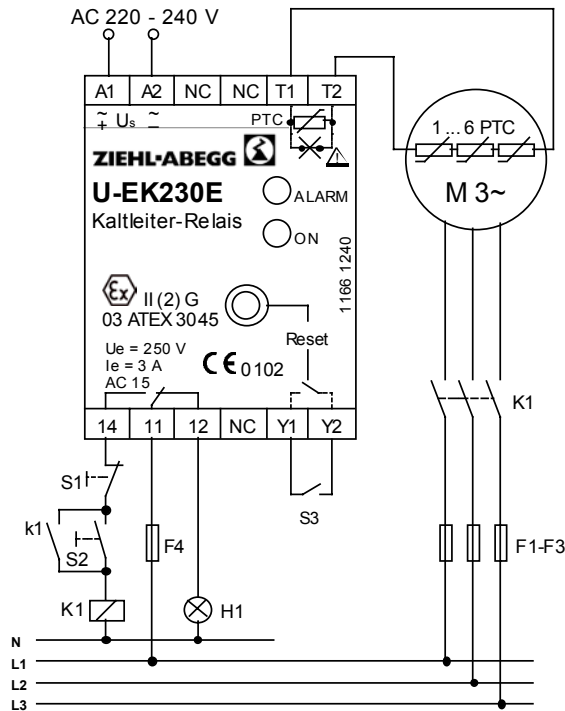
Relay does not release. Please check:

- With no PTC sensor connected the PTC Trip Relay must release. The voltage at terminals T1-T2 must be approx. 8 V. In case of any other malfunctions, replace device. Please add a description of the occurred malfunction when sending back for repair.

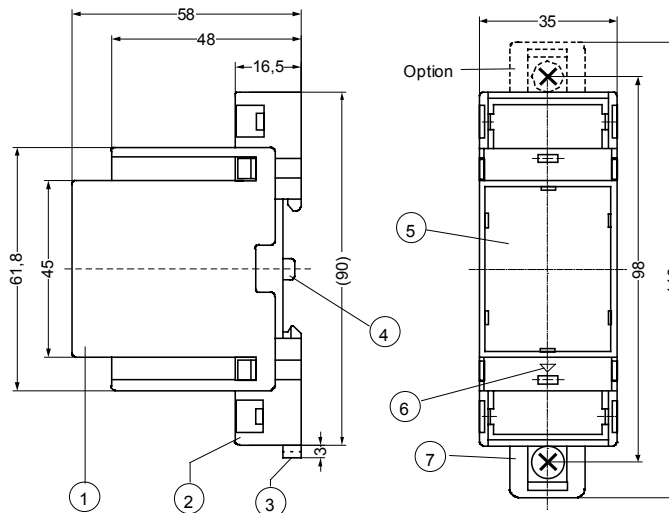
# Motor protection - and releasing unit (PTC-relay)

## 6. Enclosure

### 6.1 Connection diagram



### 6.2 Dimensions



- 1 Top
- 2 Bottom
- 3 Bolt
- 4 Seal mounting link
- 5 Front plate element
- 6 Characteristic for bottom
- 7 Extensible bolt for wall fastening with screws.  
Bolt bore  $\varnothing$  4.2 mm.



**3. Motor protection units**  
**3.2.1-GB Motor protection - and releasing units (PTC-relay)**

Type: **U-EK230E**

**Application / function**

PTC-relay for direct temperature-monitoring of explosion-proof motors EEx e and EEX d. Electronic reclosing lock, an alarm is stored until a reset is made.

- ATEX-approval according to directive 94/9/EC
- Electronic reclosing lock (disconnectable)
- Integrated RESET-button
- Link for external reset
- Automatic reset at voltage recovery
- Output relay with 1 change-over contact
- LEDs for operation and release

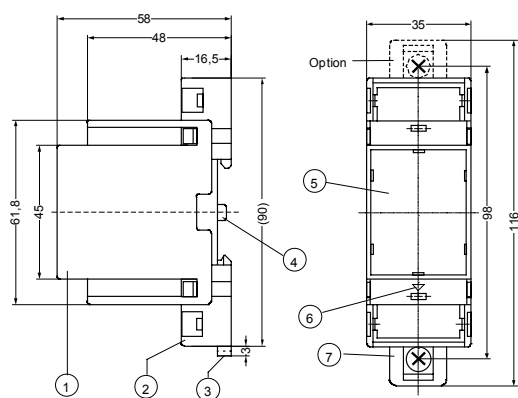
Part-No. 382000



**Technical data**

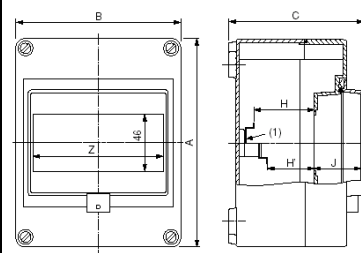
Rated supply-voltage $U_S$	AC 220-240 V $\pm 10\%$ 50/60 Hz $\leq 2$ VA
Connectable PTC-relay	1...6 in series according to DIN 44081 or 44082
Switching point	$< 4000 \Omega$
Output relay	1 change-over contact
Relay datas:	EN 60947-5
- type of contact	1 change-over contact
- switching voltage	max. AC 415 V
- switching current	max. 6 A
- breaking capacity	max. 2000 VA (ohm resistive load) max. 120 W at DC 24 V
- Line voltage ( $I_e$ ) for change-over contact	3 A AC15 250 V; 2 A DC13 24 V
- recommended pre-fusing	3.15 A delay (gL)
Max. ambient temperature	-20...+50° C
Mounting	on 35 mm DIN-rail (EN 50 022) or with 2 screws M4
Protection housing / terminals	IP 30 / IP 20
Weight	approx. 120 g
<u>Accessories:</u>	Plastic housing (IP 54) with clear cover (Part-No. 00150672)

**Dimensions**



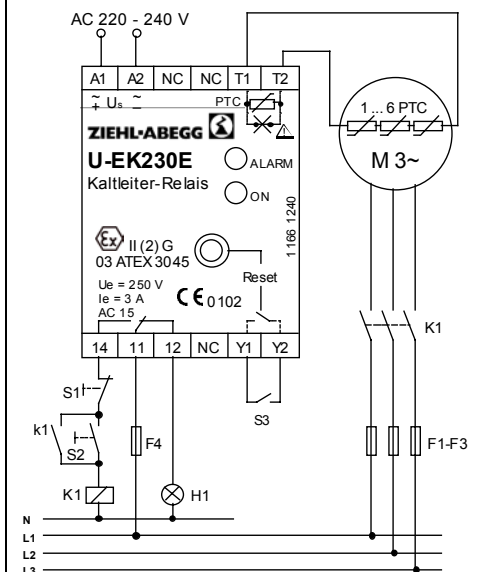
- 1 Top
- 2 Bottom
- 3 Bolt
- 4 Seal mounting link
- 5 Front plate element
- 6 Characteristic for bottom
- 7 Extensible bolt for wall fastening with screws.  
Bolt bore  $\varnothing 4,2$  mm.

Accessories: plastic housing



A (height) = 135 mm  
 B (width) = 74 mm  
 C (depth) = 100 mm

**Connection diagram**



Ziehl-Abegg AG  
 Heinz-Ziehl-Straße  
 D-74653 Künzelsau

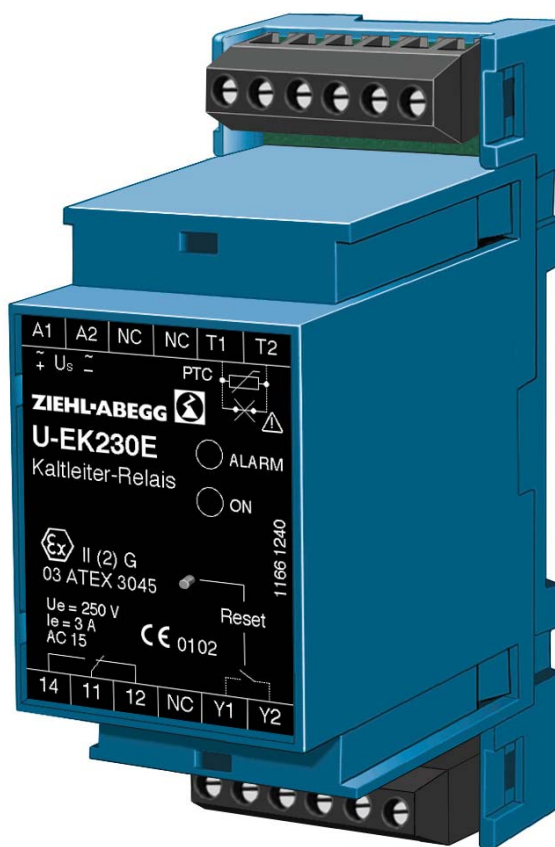
Tel.: +49 (0) 7940 16-0  
 Fax: +49 (0) 7940 16-200  
 info@ziehl-abegg.de http://www.ziehl-abegg.de



## Typ U-EK230E

Art.-Nr. 382000

## Motorschutz- und Auslösegerät (Kaltleiter)



Hersteller: Ziehl-Abegg AG  
Heinz-Ziehl-Straße  
D-74653 Künzelsau  
Tel. +49 (0) 7940 16-0  
Fax +49 (0) 7940 16-200  
<http://www.ziehl-abegg.de>  
[info@ziehl-abegg.de](mailto:info@ziehl-abegg.de)

Ab Baujahr: 2003

## Inhaltsverzeichnis

<b>1. ALLGEMEINE HINWEISE .....</b>	<b>2</b>
1.1 SICHERHEITSHINWEISE .....	2
1.2 TRANSPORT, LAGERUNG.....	3
<b>2. SERVICEADRESSE.....</b>	<b>3</b>
<b>3. BESCHREIBUNG.....</b>	<b>3</b>
3.1 EINSATZBEREICH .....	3
3.2 TECHNISCHE DATEN .....	3
3.3 DETAILLIERTE BESCHREIBUNG .....	4
<b>4. MONTAGE / INBETRIEBNAHME.....</b>	<b>5</b>
4.1 IN BETRIEB NEHMEN.....	5
4.2 BESONDERE HINWEISE FÜR EXPLOSIONSGEFÄHRDETE BEREICHE .....	6
4.2.1 <i>Besondere Hinweise für Kategorie 1 nach EN 954-1</i> .....	6
4.2.2 <i>Leitungsverlegung</i> .....	6
4.2.3 <i>Sichere Trennung</i> .....	6
4.2.4 <i>Stop Funktion, Stop Kategorie 0</i> .....	7
4.2.5 <i>Start und Neustart</i> .....	7
4.2.6 <i>Manuelle Rückstellung</i> .....	7
4.2.7 <i>Besondere Hinweise für die Kategorie 2 nach EN 954-1</i> .....	7
<b>5. WARTUNG UND REPARATUR.....</b>	<b>7</b>
5.1 FEHLERSUCHE UND MAßNAHMEN.....	7
<b>6. ANHANG .....</b>	<b>8</b>
6.1 ANSCHLUSSPLAN .....	8
6.2 MAßBLATT .....	8

## 1. Allgemeine Hinweise

### 1.1 Sicherheitshinweise

- Montage, elektrischer Anschluss und Inbetriebnahme nur von ausgebildetem Fachpersonal vornehmen lassen. Halten Sie sich an die anlagenbezogenen Bedingungen und Vorgaben des Systemherstellers oder Anlagenbauers. Im Falle von Zuwiderhandlungen erlischt die Garantie auf unsere Regelgeräte und Zubehörteile!
- Es ist grundsätzlich verboten, Arbeiten an unter Spannung stehenden Teilen durchzuführen. Schutzart des geöffneten Gerätes ist IP00! Gefährliche Spannungen können direkt berührt werden!
- Während des Betriebes muss das Gerät geschlossen oder im Schaltschrank eingebaut sein.
- Sicherungen dürfen nur ersetzt und nicht repariert oder überbrückt werden.
- Größe der max. Vorsicherung beachten.
- Spannungsfreiheit muss mit einem zweipoligen Spannungsprüfer kontrolliert werden.
- Das Gerät ist ausschließlich für die in der Auftragsbestätigung genannten Aufgaben bestimmt. Eine andere oder darüber hinausgehende Benutzung, wenn nicht vertraglich vereinbart, gilt als nicht bestimmungsgemäß. Für hieraus resultierende Schäden haftet der Hersteller nicht. Das Risiko trägt allein der Verwender.

## 1.2 Transport, Lagerung

- Ziehl-Abegg-Geräte sind ab Werk für die jeweils vereinbarte Transportart entsprechend verpackt.
- Transportieren Sie das Gerät originalverpackt.
- Bei Transport von Hand beachten Sie die zumutbaren menschlichen Hebe- und Tragekräfte.
- Achten Sie auf eventuelle Beschädigung der Verpackung oder des Gerätes.
- Lagern Sie es trocken und wettergeschützt in der Originalverpackung oder schützen Sie es bis zur endgültigen Montage vor Schmutz und Wettereinwirkung.
- Vermeiden Sie extreme Hitze- oder Kälteeinwirkung.

## 2. Serviceadresse

Haben Sie Fragen zur Verwendung unserer Produkte oder planen Sie spezielle Anwendungen, wenden Sie sich bitte an:

**ZIEHL-ABEGG AG**  
**Heinz-Ziehl-Straße**  
**D-74653 Künzelsau**  
**Telefon +49 (0) 7940 16-0**  
**Telefax +49 (0) 7940 16-200**  
**e-mail: [info@ziehl-abegg.de](mailto:info@ziehl-abegg.de)**  
**Internet: <http://www.ziehl-abegg.de>**

## 3. Beschreibung

### 3.1 Einsatzbereich

Ziehl-Abegg Kaltleiter-Auslösegeräte schützen Motoren, Transformatoren, Maschinen und Anlagen vor thermischer Überlastung.

Diese entsprechen der DIN VDE 0660 Teil 303 und sind somit austauschbar.

Zusammen mit entsprechenden Kaltleiter-Temperatursensoren ist es ein schnelles und zuverlässiges Schutzsystem bei:

- blockierendem Läufer, erschwertem Anlauf, Gegenstrombetrieb
- Unterspannung und Phasenausfall
- erhöhter Umgebungstemperatur und behinderter Kühlung

### 3.2 Technische Daten

#### Anschlussspannung

Nennspannung Us:	AC 220-240 V
Zulässige Toleranz	0,9 Us - 1,1 Us
Nennfrequenz	50 / 60 Hz
Zulässige Toleranz	45 Hz - 62 Hz
Leistungsaufnahme	<2 VA

<u>Kaltleiter-Anschluss</u>	PTC - Sensor nach DIN 44081 und DIN 44082
Anzahl	1...6 Kaltleiter in Reihe
Abschaltwert	3,3 kΩ...3,65 kΩ...3,85 kΩ
Rückschaltwert	1,7 kΩ...1,8 kΩ ...1,95 kΩ
Ansprechtoleranz	±6 °C
Sammelwiderstand der Sensorschleife	≤1,65 kΩ
Klemmenspannung	≤2,5 V bei R ≤3,65 kΩ, ≤9 V bei R = ∞
Sensorstrom	≤1 mA
Kurzschluss	20 Ω ≤R ≤40 Ω
Leistungsaufnahme	≤2 mW

<u>Relais Daten</u>	EN 60947-5
Kontaktart	1 Wechsler
Schaltspannung	max. AC 415 V
Schaltstrom	max. 6 A
Schaltleistung	max. 2000 VA (ohmsche Last) max. 120 W bei DC 24 V
Nennbetriebsstrom (I <sub>e</sub> ) für Wechsler	3 A AC15 250 V; 2 A DC13 24 V
Empfohlene Vorsicherung	3,15 A träge (gL)
Kontaktlebensdauer mechanisch	3x 10 <sup>7</sup> Schaltspiele
Kontaktlebensdauer elektrisch	1x 10 <sup>5</sup> Schaltspiele bei 240 V / 6 A
Reduktionsfaktor bei cosφ = 0,3	0,5

<u>Prüfbedingungen</u>	EN 60 947
Bemessungsstoßspannungsfestigkeit	4000 V
Überspannungskategorie	III
Verschmutzungsgrad	3 2
Bemessungsisolationsspannung U <sub>i</sub>	250 V 415 V
Trafo	EN 61558-2-6 (VDE 0551)
Einschaltdauer	100 %
Zul. Umgebungstemperatur	-20 °C...+55 °C
Anforderungsklasse DIN 19251	EN 60068-2-1 trockene Wärme AK 3
EMV - Störfestigkeit	EN 61000-6-2
EMV - Störaussendung	EN 50 081-1
Rüttelsicherheit EN 60068-2-6	2...25 Hz ±1,6 mm 25...150 Hz 5 g

### 3.3 Detaillierte Beschreibung

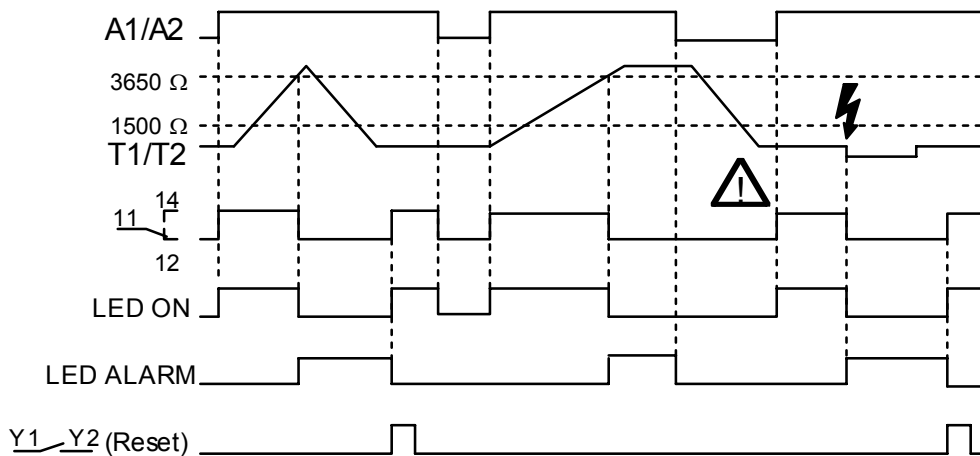
Ein Ruhestrom überwacht ständig den ohm'schen Widerstand im Sensorkreis. Im kalten Zustand liegt der Widerstand bei ≤ 250 Ω je Temperatursensor (Sensorkreis ≤ 1, 5 kΩ). Das Gerät ist eingeschaltet und die Kontakte 11, 14 geschlossen. Der Sensorwiderstand ändert sich sprunghaft bei der Nennansprechtemperatur NAT. Das Gerät schaltet ab bei einem Widerstand von 3...4 kΩ und die Kontakte 11, 12 schließen. Die Geräte schalten bei Sensor- oder Leitungskurzschluss (< ca. 20 Ω) ebenfalls ab. Auslösegeräte Typ U-EK230E speichern die Abschaltung und müssen manuell über die eingebaute Taste „Reset“ oder einen externen Taster quitiert werden. Netzeinschalten wird als Reset erkannt.



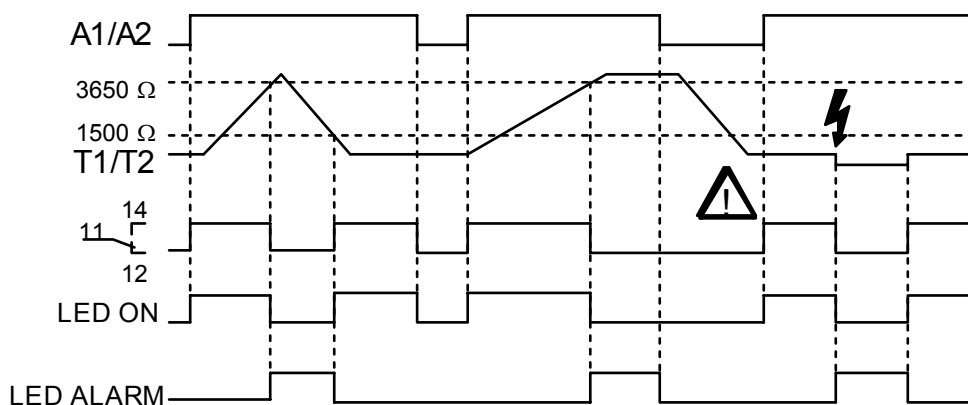
**Eine Brücke im Reset-Eingang (Y1/Y2) setzt die Wiedereinschaltsperrung außer Betrieb, das Gerät schaltet automatisch zurück, sobald der Rückschaltwert im Sensorkreis unterschritten wird.**

**Funktionsdiagramm**

U-EK230E



Brücke Y1, Y2 (auto reset)



## 4. Montage / Inbetriebnahme

### 4.1 In Betrieb nehmen

- Sicherheitsregeln und Vorschriften müssen durch den Anwender beachtet werden.
- Das Gerät kann befestigt werden auf 35 mm Normschiene EN 50 022 oder mit Schraubbefestigung M4.
- Die Geräte dürfen nur in Räumen mit Schutzart IP5X oder besser eingesetzt werden.
- Beachten Sie die maximal zulässige Temperatur bei Einbau im Schaltschrank. Es ist für genügend Abstand zu anderen Geräten oder Wärmequellen zu sorgen. Empfohlener Mindestabstand: 1 cm. Wird die Kühlung erschwert, z. B. durch enge Nachbarschaft von Geräten mit erhöhter Oberflächentemperatur oder Behinderung des Kühlluftstromes, so verringert sich die zulässige Umgebungstemperatur.



**Achtung!**

**Bevor Sie das Gerät anschließen, vergewissern Sie sich, dass die Anschlussspannung  $U_S$  am Seitentypenschild des Gerätes und die Netzspannung übereinstimmen!!**

#### 4.2 Besondere Hinweise für explosionsgefährdete Bereiche

- Die erhöhte Gefahr in explosionsgefährdeten Bereichen verlangt die sorgfältige Beachtung der „Sicherheits- und Inbetriebnahmehinweise“ und Beachtung der Norm (EN 60079-14/ VDE 0165) für elektrische Betriebsmittel für gasexplosionsgefährdete Bereiche. Alle Arbeiten zum Anschluss, zur Inbetriebnahme und Instandhaltung sind von qualifiziertem, verantwortlichem Fachpersonal auszuführen. Unsachgemäßes Verhalten kann schwere Personen- und Sachschäden verursachen.
- Das Ansprechen des thermischen Motorschutzrelais muss auch in Verbindung mit Umrichtern direkt zu einer Abschaltung führen. Dies muss schaltungstechnisch realisiert werden.
- Das Kaltleiter-Relais ist nicht für den Einsatz in Ex-Bereichen zulässig. Hierfür ist das Gerät mit einer druckfesten Kapselung zu versehen.

##### 4.2.1 Besondere Hinweise für Kategorie 1 nach EN 954-1

Sicherheitsbezogene Teile der Kategorie 1 müssen unter Verwendung bewährter Bauteile und bewährter Sicherheitsprinzipien gestaltet und gebaut werden. Der Ausfall der Sicherheitsfunktion ist bei einem Fehler möglich.

##### 4.2.2 Leitungsverlegung

- Die Sensorkreisleitungen sind als getrennte Steuerleitungen zu verlegen. Die Verwendung von Adern der Speiseleitung des Motors oder andere Hauptstromleitungen ist nicht zulässig. Sind extreme induktive oder kapazitive Einstreuungen durch parallel liegende Starkstromleitungen zu erwarten, sind geschirmte Steuerleitungen zu verwenden.
- Bei elektronischer Drehzahlregelung müssen die Sensorkreisleitungen bis zur Anschlussleitung des Motors von den Motorleitungen getrennt verlegt werden, um Einkopplungen der Motorleitung und somit Fehlauflösungen zu vermeiden.
- Die Eingänge Y1, Y2 dürfen parallel an eine gemeinsame Rückstelleinrichtung angeschlossen werden. Sensorleitungen dürfen nicht verbunden werden.
- Der Leitungswiderstand im Sensorkreis darf einen Wert von 20 Ω nicht überschreiten.
- Maximal zulässige Leitungslänge für Sensorkreisleitungen:

Leitungsquerschnitt	Leitungslänge
2,5 mm <sup>2</sup>	2 x 1000 m
1,5 mm <sup>2</sup>	2 x 800 m
1,0 mm <sup>2</sup>	2 x 500 m
0,75 mm <sup>2</sup>	2 x 300 m
0,5 mm <sup>2</sup>	2 x 250 m

- Bei der Inbetriebnahme und nach Modifikation der Anlage ist eine Messung des Sensorwiderstandes mit einem geeigneten Messgerät durchzuführen. Bei Widerstand <50 Ω ist der Sensorkreis auf Kurzschluss zu überprüfen.



**Achtung! Prüfen Sie Kaltleiter nur mit Messspannungen <2,5 V!**

##### 4.2.3 Sichere Trennung

- Netzstromkreise (A1, A2; 11, 12, 14) haben eine sichere Trennung zu Niederspannungsstromkreisen (T1, T2, Y1, Y2).

## Motorschutz- und Auslösegerät (Kaltleiter)

### 4.2.4 Stop Funktion, Stop Kategorie 0

- Eine durch die Schutzeinrichtung ausgelöste Stop-Funktion muss die Maschine nach Betätigung dieser Funktion so schnell wie möglich in einen sicheren Zustand überführen. Die Stop-Funktion muss Vorrang vor einem Betriebs-Stop haben.
- Das Relais schaltet im Fehlerfall den Schütz/Motorschutzschalter ab und verhindert so eine Überhitzung des Isolationssystems bzw. der Oberflächentemperatur. Die Schutzfunktion des Gerätes ist nur sichergestellt, wenn die Beschaltung direkt in den Steuerkreis des Arbeitsmittels gemäß Anschlussplan ausgeführt wird. Die Kontakte sind abzusichern, um ein Verschweißen zu verhindern.

### 4.2.5 Start und Neustart



**Ein erneuter Start darf nur dann automatisch erfolgen, wenn kein gefährlicher Zustand vorliegen kann. Mit Brücke Y1, Y2 (auto reset) schalten Auslösegeräte nach erfolgreicher Abkühlung automatisch wieder ein. Diese Funktion darf nicht angewendet werden, bei denen der unerwartete Neustart zu Personen- oder Sachschäden führen kann.**

### 4.2.6 Manuelle Rückstellung

- Nach Einleiten eines Stop-Befehls durch die Schutzeinrichtung muss dieser aufrechterhalten bleiben, bis die manuelle Rückstelleinrichtung betätigt wird und sichere Bedingungen für einen erneuten Start gegeben sind. Die manuelle Rückstellung darf nur möglich sein, wenn alle Sicherheitsfunktionen und Schutzeinrichtungen wirksam sind.
- Auslösegeräte Typ U-EK230E haben eine Wiedereinschaltsperrung. Der Stop-Befehl bleibt bestehen, bis dieser durch Betätigen des Tasters „Reset“ aufgehoben wird. Ein Start ist nur möglich, wenn kein Fehlerfall vorliegt und die Temperatur auf einen ausreichenden Wert abgekühlt ist. Geräte vom Typ U-EK230E schalten bei Spannungswiederkehr automatisch ein. Der Anwender muss über eine externe Verriegelung (siehe Anschlussplan) sicherstellen, dass die zu überwachende Maschine nicht selbständig wieder anläuft bzw. den Ausfall der Versorgungsspannung überwachen.

### 4.2.7 Besondere Hinweise für die Kategorie 2 nach EN 954-1

Die Anforderungen von Kategorie 1 müssen erfüllt sein. Die Sicherheitsfunktion der sicherheitsbezogenen Teile muss in geeigneten Zeitabständen geprüft werden. Es wird eine Testung der Sicherheitsfunktion mindestens bei jedem Anlauf verlangt. Es wird 1 Fehler durch die Prüfung erkannt. Ein Fehler kann zwischen den Prüfungen zum Verlust der Sicherheitsfunktion führen.

- Die Sicherheitsfunktion muss durch Unterbrechung der Sensorzuleitung an den Klemmen T1, T2 geprüft werden.
- Die Kurzschlussüberwachung muss durch Kurzschluss der Sensorzuleitung an den Klemmen T1, T2 geprüft werden.
- Die Wiedereinschaltsperrung muss geprüft werden.
- Wird ein Fehler erkannt, darf kein Wiederanlauf eingeleitet werden, bis der Fehler behoben ist.

## 5. Wartung und Reparatur

Die Geräte sind wartungsfrei. Reparaturen am Gerät dürfen nur vom Hersteller durchgeführt werden.

### 5.1 Fehlersuche und Maßnahmen

Relais schaltet nicht ein. Prüfen Sie:

- Die Versorgungsspannung  $U_s$  an Klemme A1, A2 (grüne LED leuchtet).
- ob die Kaltleiter an Klemme T1-T2 richtig angeschlossen sind. Bei Störung leuchtet die rote LED.
- Der Widerstand im Sensorkreis muss einen Wert  $50 \Omega < R < 1500 \Omega$  aufweisen. Die Klemmenspannung muss bei angeschlossenen Kaltleitern  $< 2,5 \text{ V}$  sein.
- Drücken Sie den „Reset“ Taster am Gerät. Das Gerät kann bei  $R < 1,65 \text{ k}\Omega$  zurückgesetzt werden. LED rot wechselt auf grün. Schließen eines externen Kontaktes an Klemme Y1, Y2 oder Netzwiederkehr bewirken ebenfalls ein Reset.

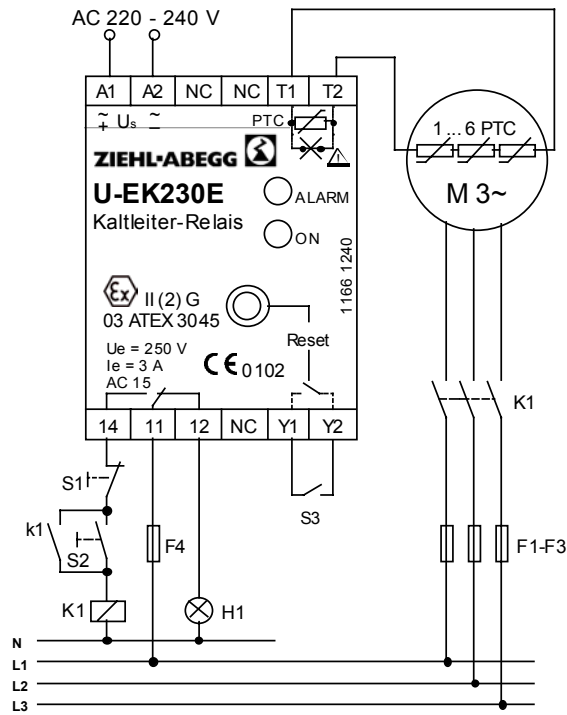
Relais schaltet nicht ab. Prüfen Sie:

- Bei offener Klemme T1-T2 muss das Relais abschalten. Die Klemmenspannung muss ca. 8 V betragen. Bei anderen Fehlern Gerät austauschen und mit Fehlerbeschreibung einschicken.

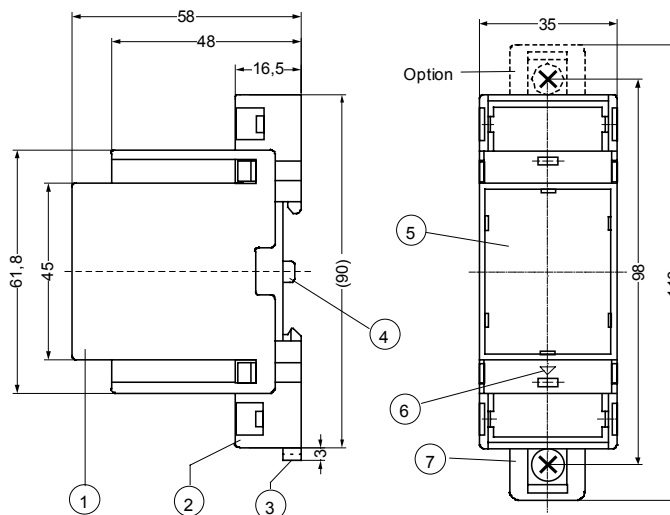


**6. Anhang**

**6.1 Anschlussplan**



**6.2 Maßblatt**



- 1 Oberteil
- 2 Unterteil
- 3 Riegel
- 4 Plombenlasche
- 5 Frontplatteneinsatz
- 6 Kennzeichen für unten
- 7 Riegel bei Wandbefestigung mit Schrauben.  
Riegelbohrung  $\varnothing$  4,2 mm.