



TT-S1 is an ancillary board intended to control extra load when using the TTC2000 controller.

- * Maximum 25 A load
- * Easy mounting and start-up
- * Potential free relay output
- * For control of auxillary contactor

Function

TT-S1 is a control board for use when you need to control larger loads with a TTC2000. TT-S1 is used to control a contactor that activates and deactivates a basic heating load. For best function the load connected to TT-S1 should be of equal size to the load connected to the TTC2000. TT-S1 and TTC2000 must have separate loads.

Function

On increasing heat demand TTC2000 will primarily increase the triac-controlled output. When this reaches 100% the TT-S1 relay will be activated and at the same time the triac output will be reduced to 0%. If there is demand for more heating, the TTC2000 will start increasing the triac controlled output again. An activated TT-S1 will be deactivated when the triac output falls below 0%.

Easy to instal

The TTC2000 is prepared to plug-in the TT-S1 module. TTC2000 detects if a TT-S1 is installed and automatically adapts the control function accordingly. No settings are necessary.

Connect in series with the control voltage for the heating load contactor. The supply should be wired via the fan stat, the high temperature limit switch etc. TTC2000 and TT-S1 must have separate, equal-sized loads.

Technical data

Supply voltage Supplied by the connector (TTC2000)

Control signal Supplied by the connector (TTC2000)

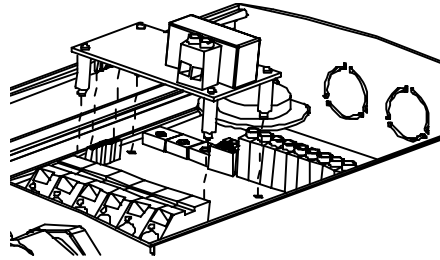
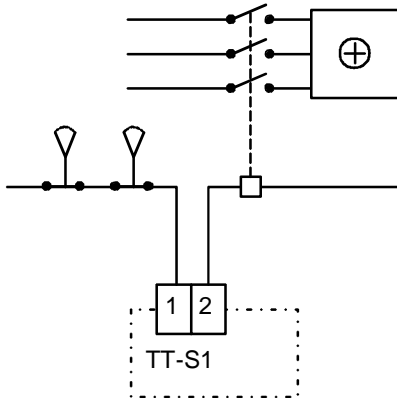
Output Single pole closing relay, 5 A, 230 V AC (Terminals 1 and 2)
Controls load via contactor. Maximum load via contactor 25 A



This product conforms with the requirements of European EMC standards CENELEC EN 50081-1 and EN 50082-1 and carries the CE mark.

This product conforms with the requirements of European LVD standards IEC 60947-1 and IEC 60947-2-1.

Wiring and placing



IMPROVING INDOOR CLIMATE CONTROL WORLDWIDE

ABRegin

Head office Sweden

Phone: +46 31 720 02 00 Web site: www.regin.se

Fax: +46 31 94 01 46 E-mail: info@regin.se

Regional office Asia Pacific, Singapore

Phone: +65 6747 82 33 Web site: www.regin.com.sg

Fax: +65 6747 92 33 E-mail: info@regin.com.sg