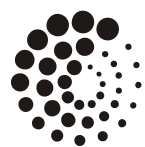


SYSVRF Indoor unit



VRF Indoor units
OWNER MANUAL



systemair

CONTENTS

PAGE

IMPORTANT SAFETY INFORMATION.....	1
PARTS NAMES.....	2
AIR CONDITIONER OPERATIONS AND PERFORMANCE.....	5
ADJUSTING AIR FLOW DIRECTION.....	6
MAINTENANCE.....	10
FOLLOWING SYMPTOMS ARE NOT AIR CONDITIONER TROUBLES....	13
TROUBLESHOOTING.....	14

1. IMPORTANT SAFETY INFORMATION

To prevent injury to the user or other people and property damage, the following instructions must be followed. Incorrect operation due to ignoring of instructions may cause harm or damage.

The safety precautions listed are divided into two categories. In either case, important safety information is listed which must be read.



WARNING

Failure to observe a warning may result in death. The appliance shall be installed in accordance with national wiring regulations.



CAUTION

Failure to observe a caution may result in injury or damage to the equipment.



WARNING

Ask your dealer for installation of the air conditioner.
Incomplete installation performed by yourself may result in a water leakage, electric shock or fire.

Ask your dealer for improvement, repair, and maintenance.
Incomplete improvement, repair, and maintenance may result in a water leakage, electric shock or fire.

In order to avoid electric shock, fire or injury, or if you detect any abnormality such as smell of fire, turn off the power supply and call your dealer for instructions.

Never let the indoor unit or the remote controller get wet.
It may cause an electric shock or a fire.

Never press the button of the remote controller with a hard, pointed object.
The remote controller may be damaged.

Never replace a fuse with that of wrong rated current or other wires when a fuse blows out.
Use of wire or copper wire may cause the unit to break down or cause a fire.

Never use a flammable spray such as hair spray, lacquer or paint near the unit.
It may cause a fire.

Never touch the air outlet or the horizontal blades while the swing flap is in operation.
Fingers may become caught or the unit may break down.

Never put any objects into the air inlet or outlet.
Objects touching the fan at high speed can be dangerous.

Never inspect or service the unit by yourself.
Ask a qualified service person to perform this work.

Do not dispose this product as unsorted municipal waste. Collection of such waste separately for special treatment is necessary.

Do not dispose of electrical appliances as unsorted municipal waste, use separate collection facilities.
Contact you local government for information regarding the connection systems available.

If electrical appliances are disposed of in landfills or dumps, hazardous substances can leak into the ground water and get into the food chain, damaging your health and well-being.

To prevent refrigerant leak, contact your dealer.
When the system is installed and runs in a small room, it is required to keep the concentration of the refrigerant, if by any chance coming out, below the limit. Otherwise, oxygen in the room may be affected, resulting in a serious accident.

If the refrigerant leaks in the room, contact with a fire of a burner, a heater or a cooker may result in a harmful gas.

Turn off any combustible heating devices, ventilate the room, and contact the dealer where you purchased the unit.

Do not use the air conditioner until a service person confirms that the portion where the refrigerant leaks is repaired.



CAUTION

The cooling&heating indoor unit is applicable for the cooling&heating and the cooling only outdoor unit;the heating capacity of the indoor unit will be effective only when the indoor unit connect to the cooling&heating outdoor unit.

Do not use the air conditioner for other purposes.
In order to avoid any quality deterioration, do not use the unit for cooling precision instruments, food, plants, animals or works of art.

Before cleaning, be sure to stop the operation, turn the breaker off or pull out the supply cord.
Otherwise, an electric shock and injury may result.

In order to avoid electric shock or fire, make sure that an earth leak detector is installed.

Be sure the air conditioner is grounded.

In order to avoid electric shock, make sure that the unit is grounded and that the earth wire is not connected to gas or water pipe, lightning conductor or telephone earth wire.

In order to avoid injury, do not remove the fan guard of the outdoor unit.

Do not operate the air conditioner if wet.

An electric shock may occur.

Do not touch the heat exchanger fins.

These fins are sharp and could result in cutting injuries.

Do not place items which might be damaged by moisture under the indoor unit.

Condensation may form if the humidity is above 80%, the drain outlet is blocked or the filter is polluted.

After a long use, check the unit stand and fitting for damage.

If damaged, the unit may fall and result in injury.

To avoid oxygen deficiency, ventilate the room sufficiently if equipment with burner is used together with the air conditioner.

Arrange the drain hose to ensure smooth drainage.

Incomplete drainage may cause water damage to the building, furniture etc.

Never touch the internal parts of the controller.

Do not remove the front panel. Some parts inside are dangerous to touch, and machine breakdown may occur.

Never expose little children, plants or animals directly to the air flow.

Adverse influence to little children, animals and plants may result.

Do not allow children to play on the outdoor unit or avoid placing any object on it.

Falling may result in injury.

Do not operate the air conditioner when using a room fumigation - type insecticide.

Failure to observe could cause the chemicals to become deposited in the unit, which could endanger the health of those who are hypersensitive to chemicals.

Do not place appliances which produce open fire in places exposed to the air flow from the unit or under the indoor unit.

It may cause incomplete combustion or deformation of the unit due to the heat.

Do not install the air conditioner at any place where flammable gas may leak out.

If the gas leaks out and stays around the air conditioner, a fire may break out.

The appliance is not intended for use by young children or infirm persons without supervision.



NOTE

All the pictures in this manual are for explanation purpose only. They may be slightly different from the air conditioner you purchased (depend on model). The actual shape shall prevail.

2. PARTS NAMES

■ Four-way cassette type

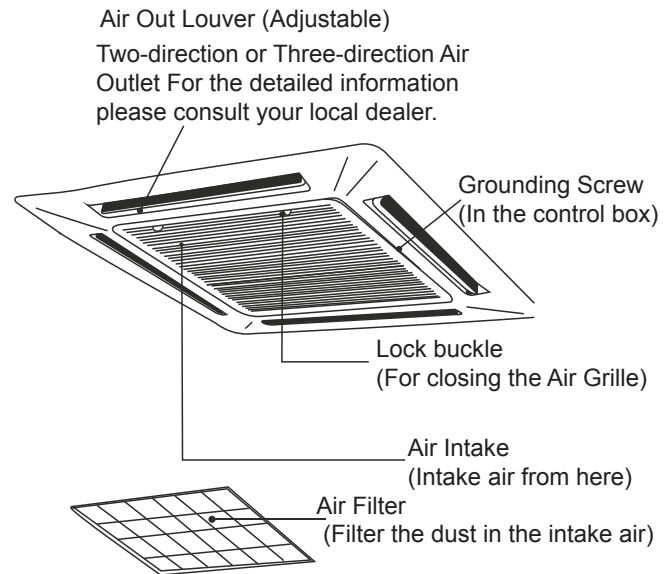


Fig.2-1

■ Ceiling-floor type

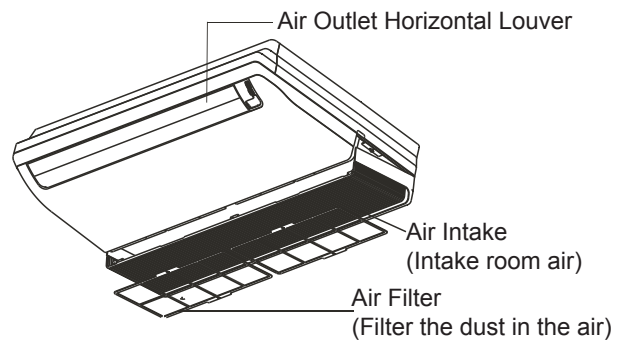


Fig.2-2

■ One-way cassette type

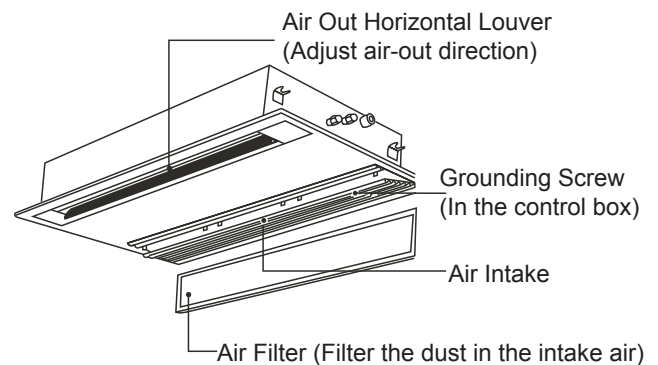


Fig.2-3

■ **Small one-way cassette type**

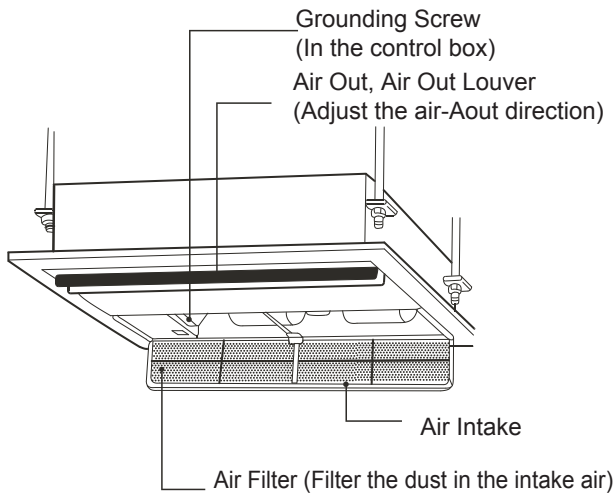


Fig.2-4

■ **Small one-way cassette type**
(The second generation 18-36 model)

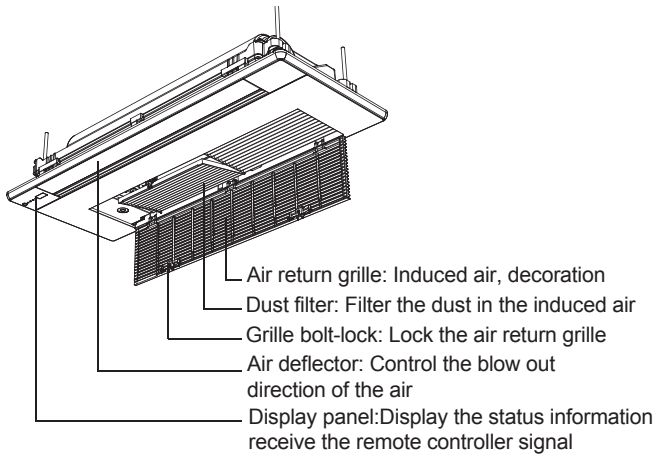


Fig.2-5

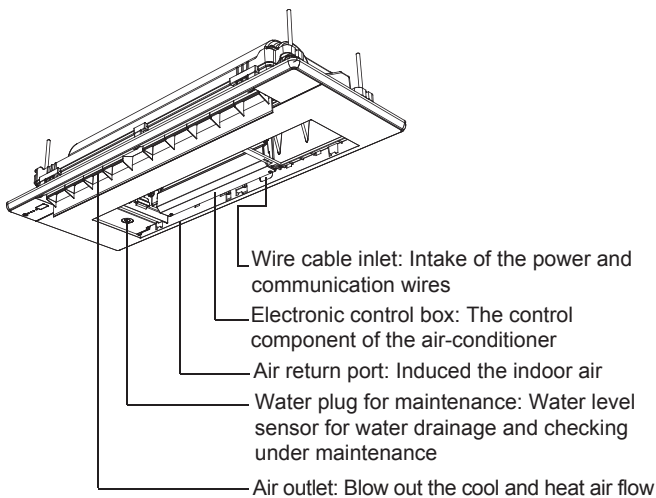


Fig.2-6

■ **Wall-mounted type**

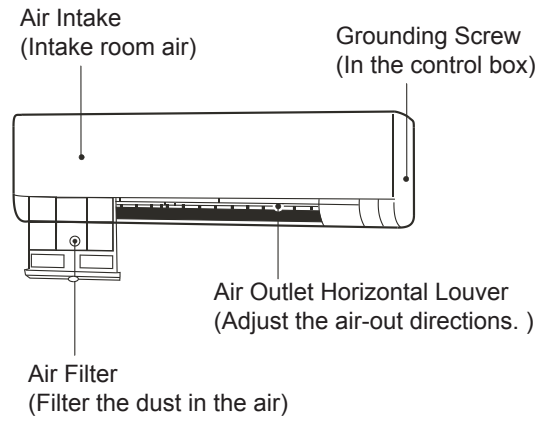


Fig.2-7

■ **Duct/ceiling type**

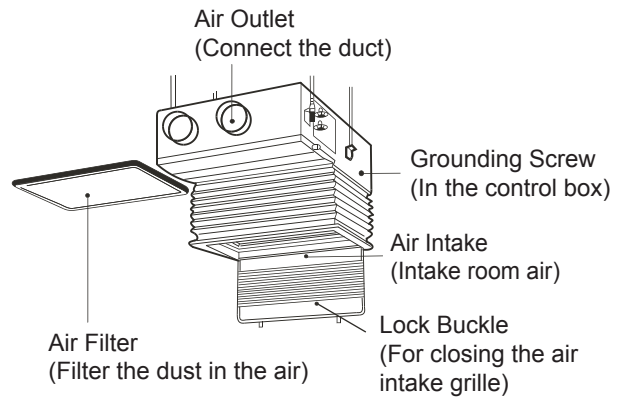


Fig.2-8

■ **High static pressure duct type**

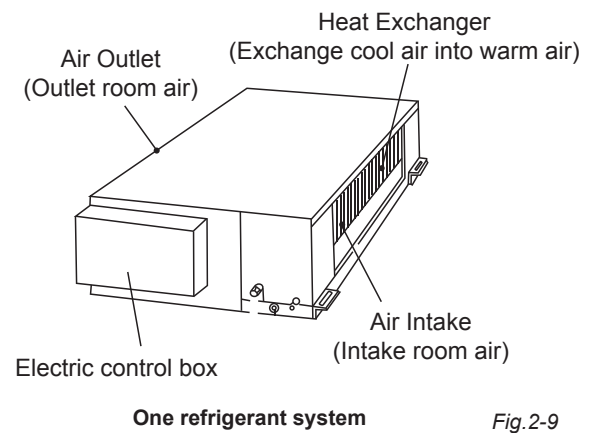


Fig.2-9

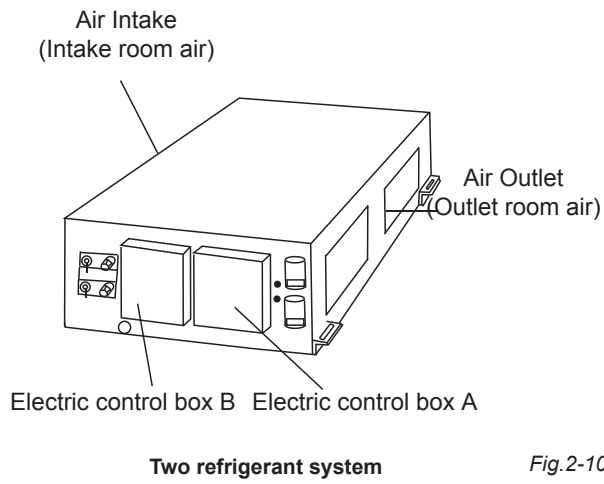


Fig.2-10

■ Middle static pressure duct type

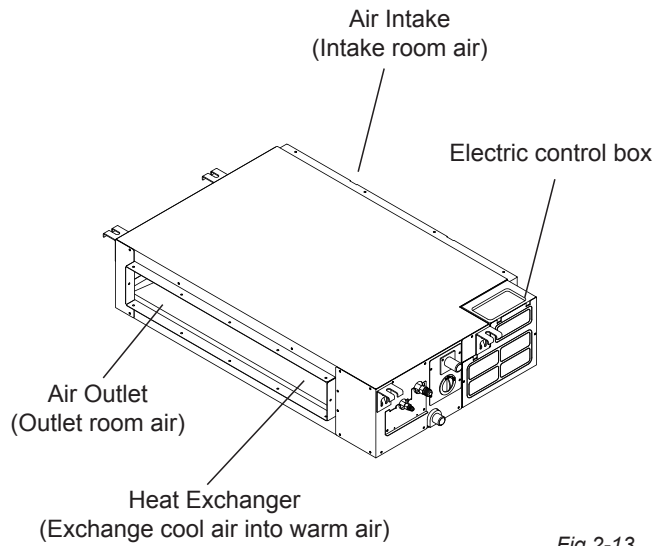


Fig.2-13

■ (Thin) Duct/ceiling type

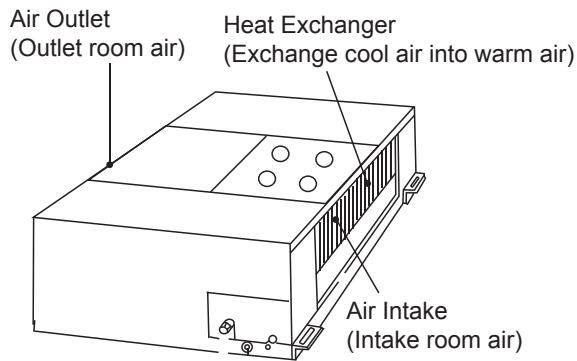


Fig.2-11

■ Low static pressure type

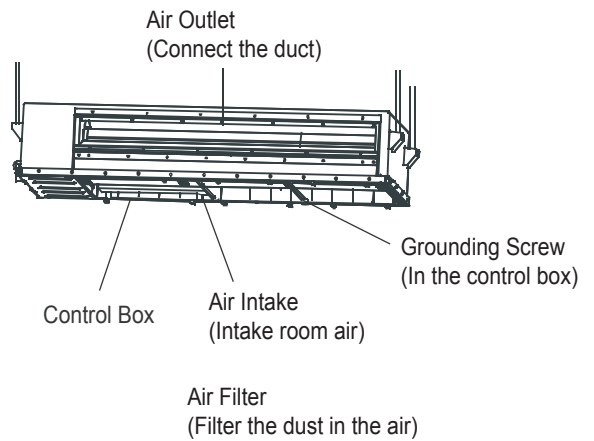


Fig.2-14

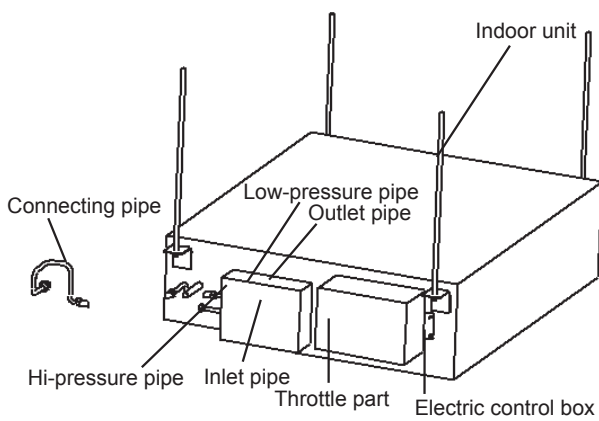


Fig.2-12

■ Console type

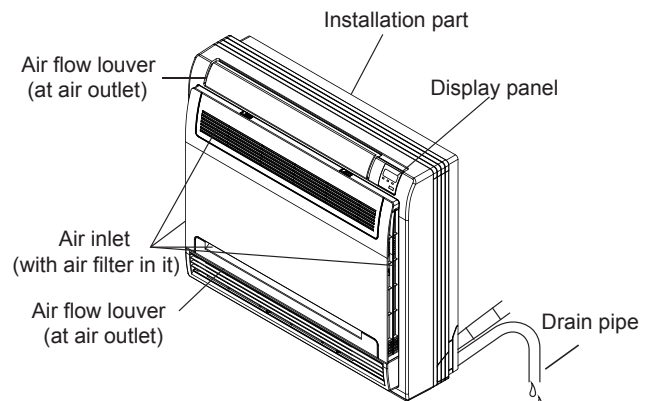


Fig.2-15

■ Floor standing type

● Version I

Vertical unit with casing, with air intake from front and air outlet on top, for installation on a wall or on feet on the floor.

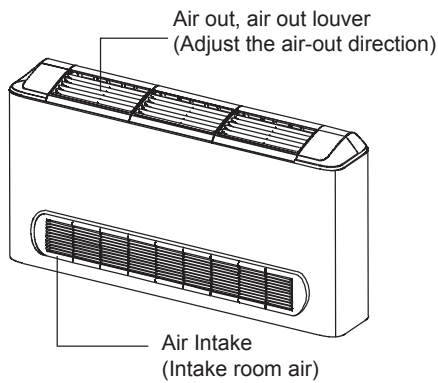


Fig.2-16

● Version II

Vertical unit with casing, with air intake from below and air outlet on top, for installation on a wall or on feet on the floor.

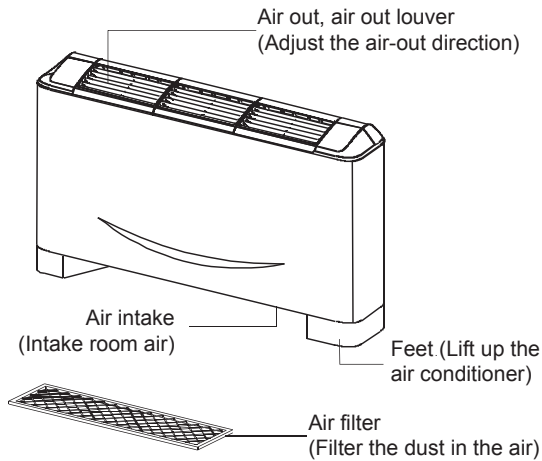


Fig.2-17

● Version III

Vertical unit for flush mounting, with air intake from below and air delivery at the top, for installation on a wall.

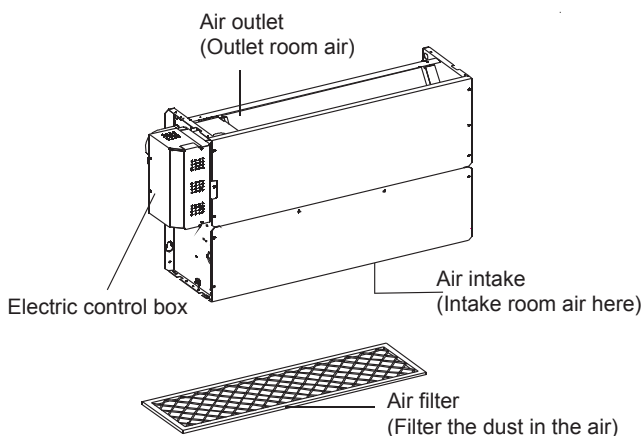


Fig.2-18

■ Two-way cassette type

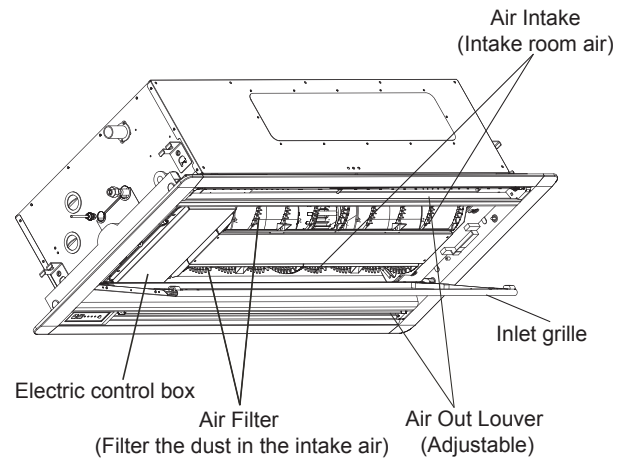


Fig.2-19

3. AIR CONDITIONER OPERATIONS AND PERFORMANCE

Use the system in the following temperature for safe and effective operation. The Max operation temperature for the air conditioner.(Cooling/Heating)

Table 3-1

Mode \ Temperature	Indoor temperature
Cooling operation	17°C ~ 32°C
	Indoor Humidity Below 80% 80% humidity or above will cause the machine surface condensing dew.
Heating operating (cooling only type without)	≤27°C

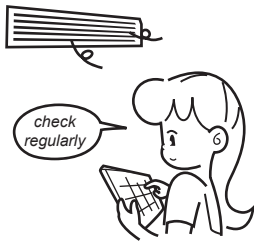


NOTE

- 1 If air conditioner is used outside the above conditions, it may cause the unit to function abnormally.
- 2 The phenomenon is normal that the surface of air conditioning may condense water when the relative humidity is very high in the room, please close the door and window.
- 3 Optimum performance will be achieved within these operating temperature range.
- 4 Protection device will be activated and the unit stops when the above conditions can not be achieved.

- Please note the following correct operation for saving energy and achieving the quick and comfortable cooling/heating effects.

- The blocked air filter will reduce cooling/heating effects.



- Close the door/window

Do not let the heat/cool air leak from the door/window.



- Do not overcool or overheat.

Do not expose yourself to the cool airflow for a long time. To be overly chilled may harm your health. Especially for the handicapped, children or old.



- To maintain the comfortable temperature.

Adjust the air-out direction by using the air-out louver.



4. ADJUSTING AIR FLOW DIRECTION.

Because cold air flow down and hot air flow up, to improve the the cooling and heating effect, please adjust air flow louver direction, in result the temperature of the room will be natural and equal and you will fell more comfortable.



NOTE

- 1 The heating operation with horizontal air outlet will increase the difference of the room temperature.
- 2 The louver direction :
Choose horizontal outlet mode when cooling operation
When the cooling operation, the air flow down will cause condensing dew on the air outlet and louver surface.

■ Four-way cassette type

- Cooling operation

Adjust the louver horizontally .



Fig.4-1

- Heating operation

Adjust the louver down.

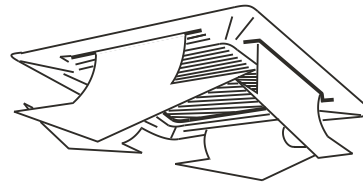


Fig.4-2

When using the panel with auto.louver, press SWING button , the auto, louver will swing automatically and the best cooling (heating) effects will be achieved.

■ One-way cassette type

- Adjust the air direction up and down

- Auto-swing

Press SWING button, the louver will swing up and down.

Maximum air circulation area

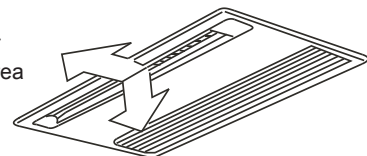


Fig.4-3

● **When cooling**

Adjust the louver horizontally.

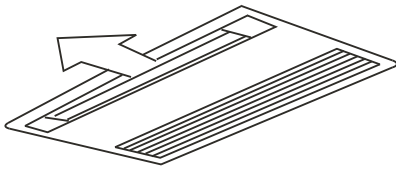


Fig.4-4

● **When heating**

Adjust the louver down(vertically).

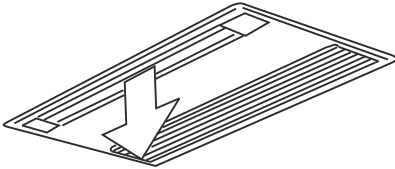


Fig.4-5

■ **Adjust the air direction left and right**

Adjust the blade inside the air outlet louver to the desired direction.

When the air flow sideways and the air flow parts must be used (sold separately), please refer to the following figures to adjust the air flow direction.

■ **Adjust the air flow up and down**

● **Cooling operation**

Adjust the louver horizontally .

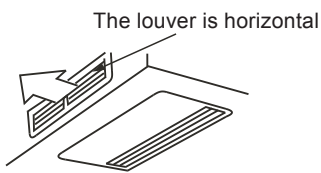


Fig.4-6

● **When heating**

Adjust the louver down(vertically).

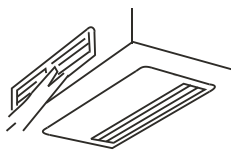


Fig.4-7

■ **Adjust left and right**

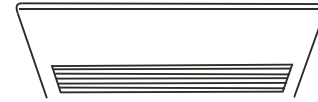
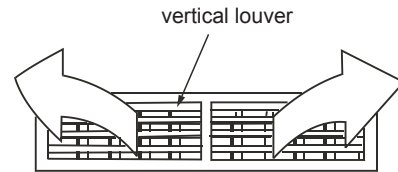
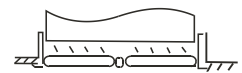
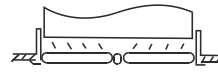


Fig.4-8



NOTE

When adjusting air flow left /right, refer to the following figures to turn the vertical louver to certain angles. Do not adjust the blade angle too much, otherwise condensation drops may form on blade.



vertical louver



■ **Duct-ceiling type**

The following is how to adjust the air flow direction when the air outlet parts (sold separately) is used with the indoor unit.

● **When cooling**

To effectively cool the bottom of the room please set the louver sideways. (Fig.4-9)

● **When heating**

To effectively heat the bottom of the room please set the louver downwards. (Fig.4-10)

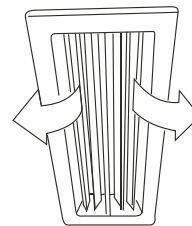


Fig.4-9

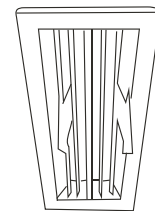
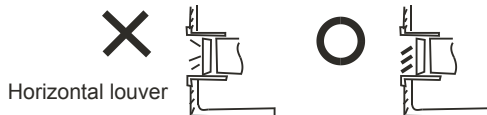


Fig.4-10



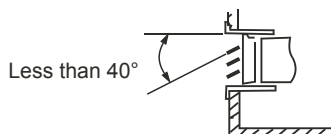
NOTE

1 Please adjust the horizontal louver down when the air flow is down.



Horizontal louver

2 The slant angle of horizontal louver must be Less than 40° otherwise condensation drops may occur.



■ Wall-Mounted type

Adjust the Air Flow Direction Up and Down

- **Auto-swing**

Press SWING button, the louver will swing up and down automatically.

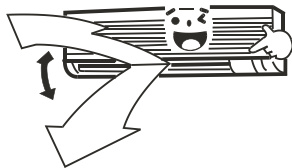


Fig.4-11

- **Manual swing**

Adjust the louver to achieve the better cooling/ heating effects when cooling/heating.

- **When cooling**

Adjust the louver horizontally.

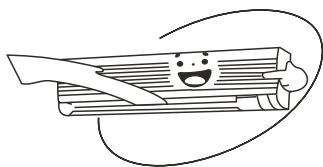


Fig.4-12

- **When heating**

Adjust the louver downwards (vertically).

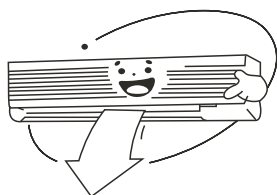


Fig.4-13



CAUTION

- 1 Condensation drops may form on the surface of the unit or horizontal louver when cooling while the air-out direction is vertically down.
- 2 Indoor temperature will not be even on the heating mode when the air-out direction is horizontal.
- 3 Do not move the horizontal louver with hands, or malfunction may occur. Adjust it with the swing button on the wire controller.

■ Ceiling-floor type

- **Auto-swing**

Press SWING button, the louver will swing up and down (left and right) automatically.

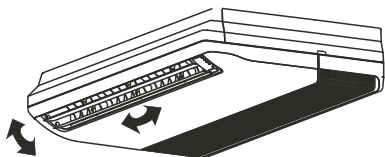


Fig.4-14

- **Manual swing**

Adjust the louver to achieve the better cooling/ heating effects when cooling/heating.

- **When cooling**

Adjust the louver horizontally.

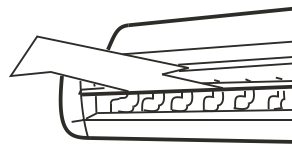


Fig.4-15

- **When heating**

Adjust the louver downwards (vertically).

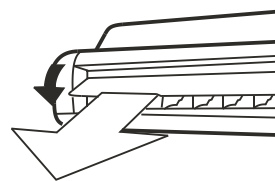


Fig.4-16

■ Console type

- **Adjust the air direction up and down**

- **Auto-swing**

Press SWING button, the louver will swing up and down automatically.

- **Manual swing**

Press Air Direction button, the louver can be fixed at a desired angle. The louver swing (upward or downward) to a certain angle for each press.

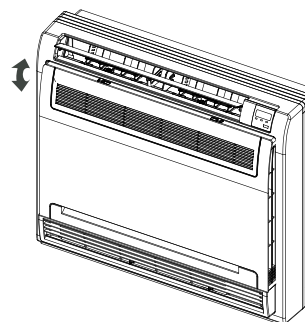


Fig.4-17

- **When cooling**

Adjust the louver horizontally. (Refer to Fig. 4-18)

- **When heating**

Adjust the louver downwards (vertically). (Refer to Fig. 4-19)

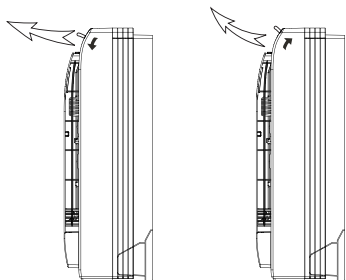


Fig. 4-18

Fig. 4-19



CAUTION

Do not try to adjust the horizontal louver by hand. When adjusting by hand, the mechanism may not operate properly or condensation may drip from air outlets.

- **Adjust the air direction left and right**

Hold the knob and move the louver. You will find a knob on the left-side and the right-side blades.

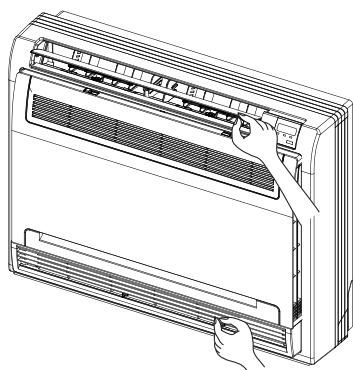


Fig. 4-20

- **Air flow selection**

Open the front panel. How to open the front panel: (Refer to Fig. 5-4).



CAUTION

Before opening the front panel, be sure to stop the operation and turn the breaker OFF. Do not touch the metal parts on the inside of the indoor unit, as it may result in injury.


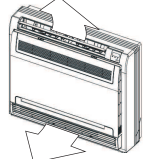

- Make air flow selection according to what suits you. (Please refer to Fig. 7-2 about the position of)
- When setting the air flow selection switch to . Air conditioner automatically decides the appropriate blowing pattern depending on the operating mode/ situation.

Table 4-1

Operating mode	COOL mode		HEAT mode	
Situation	When the room has become fully cool, or when one hour has passed since turning on the air conditioner.	At start of operation or other times when the room is not fully cooled.	At times other than below. (Normal time.)	At start or when air temperature is low.
Blowing pattern	So that air does not come into direct contact with people, air is blown upper air outlet, room temperature is equalized.		 Air is blown from the upper and lower air outlets for high speed cooling during COOL mode, and for filling the room with warm air during HEAT mode.	So that air does not come into direct contact with people, air is blown upper air outlet.

During Dry mode, so that cold air does not come into direct contact with people, air is blown upper air outlet.

- When setting the air outlet selection switch to .

Regardless of the operating mode or situation, air blows from the upper air outlet.

Use this switch when you do not want air coming out of the lower air outlet. (While sleeping etc.)

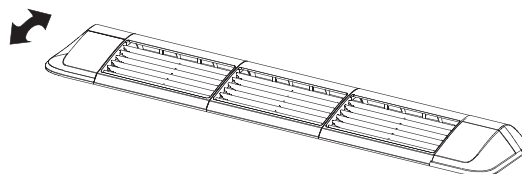


CAUTION

For switching the Auto/Manual mode of the lower air outlet, one should unplug and restart the unit for mode renewing.

- **Digital scroll floor standing type**

Adjust the louver to achieve better cooling/heating effects when cooling/heating.



- **Two-way cassette type**

Fig. 4-21

- **Auto-swing**

Press SWING button, the louver will swing up and down automatically.

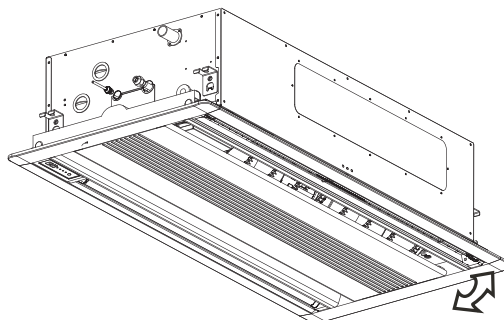


Fig. 4-22

- **Manual swing**

Adjust the louver to achieve the better cooling/ heating effects when cooling/heating.

- **When cooling**

Adjust the louver horizontally.

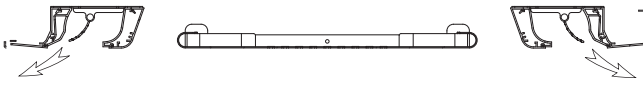


Fig.4-23

- **When heating**

Adjust the louver downwards (vertically).

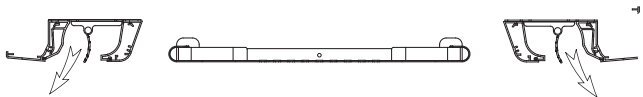


Fig.4-24



CAUTION

Do not try to adjust the louver by hand.
When adjusting by hand, the mechanism may not operate properly or condensation may drip from air outlets.

5. MAINTENANCE



CAUTION

- 1 Before you clean the air conditioner, be sure the power supply is off.
- 2 Check if the wiring is not damaged or disconnected.
- 3 Use a dry cloth to wipe the indoor unit and remote controller.
- 4 A wet cloth may be used to clean the indoor unit if it is very dirty.
- 5 Never use a damp cloth on the remote controller.
- 6 Do not use a chemically-treated duster for wiping or leave such material on the unit for long. it may damage or fade the surface of the unit.
- 7 Do not use benzine, thinner, polishing powder, or similar solvents for cleaning. These may cause the plastic surface to crack or deform.

Method for cleaning the air filter

- The air filter can prevent the dust or other particles from going inside. In case of blockage of the filter, the working efficiency of the air conditioner may greatly decrease, therefore, the filter must be cleaned twice a month during prolonged use.
- If the air conditioner is positioned in a dusty place, the cleaning frequency of the air filter must be increased.
- If the accumulated dust is too heavy to be cleaned, please replace the filter with a new one(the replaceable air filter is an optional fitting).

1. Take out the inlet grille

- **For Four-Way Cassette Type**

Push the grille switches towards the middle simultaneously as indicated in Sketch Fig.5-1 . Then pull down the inlet grille. Take out the inlet grille (together with the air filter shown in Sketch Fig.5-2). Pull the inlet grille down at 45° and lift it up to take out the grille.

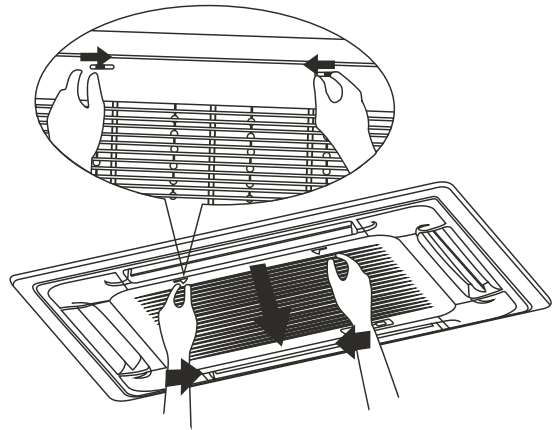


Fig.5-1

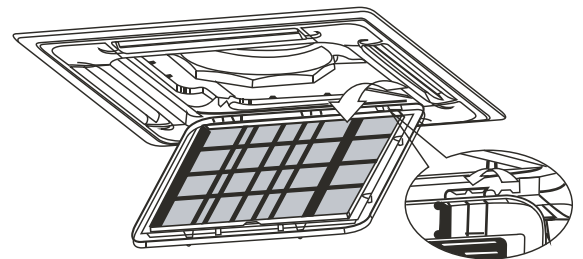


Fig.5-2



CAUTION

The control box cables, which are originally connected with the main body electrical terminators must be pulled off before doing as indicated above.

- **For Duct/Ceiling Type**

Push the grille switches to the arrow directions, then open the inlet grille downwards. Turn back the air filter fixing block, then take out the inlet grille.

- **For One-Way Cassette Type**

Remove the inlet grille, hold the air-in buckle with two hands and open the grille downwards, pull it towards inside part and push the filter buckle to remove the grille.

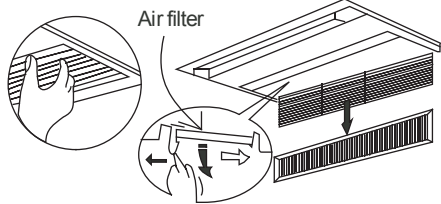


Fig.5-3

- **For One-Way Cassette Type**

(The second generation 18-36 model)

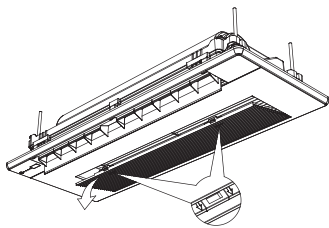


Fig.5-4

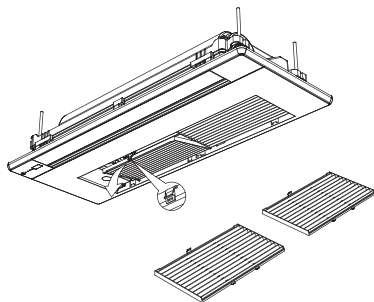


Fig.5-5

- **For Console Type**

Push the grille switches to the arrow directions, then open the inlet grille downwards. Press the claws on the right and left of the air filter down slightly, then pull upward.

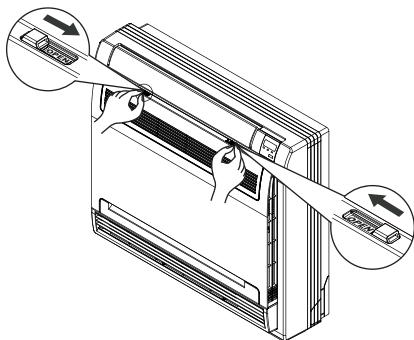


Fig.5-6

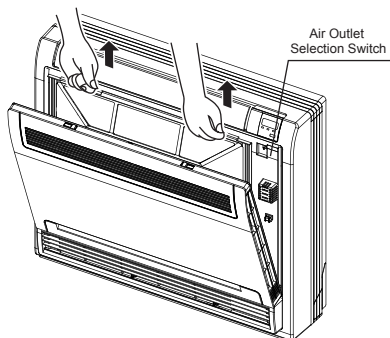


Fig.5-7

Hold the tabs of the frame, and remove the claws in 4 places. (The special function filter can be renewed by washing it with water once every 6 months. We recommend replacing it once every 3 years.)

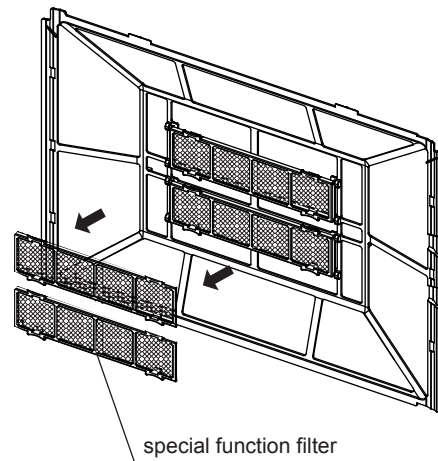


Fig.5-8

- **For digital scroll floor standing type**

The filter is housed in the lower part of the unit in versions II and III which take in air from below or from the rear. To remove the filter in versions II and III proceed as followed.

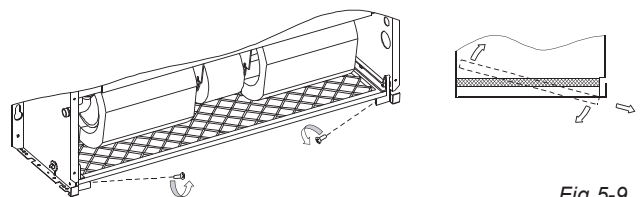


Fig.5-9

While it is housed in the front cowl in version I, which take in air from the front.

To remove the filter in version I, proceed as followed.

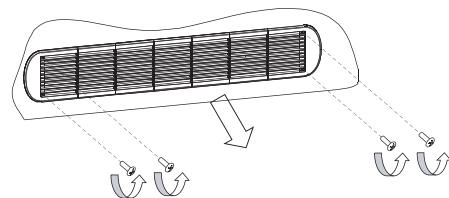


Fig.5-10

- **Two-way cassette type**

- **Take off the inlet grille from the panel.**

- 1) Upright row (non-directional) one side of the inlet grille, and put down the other side, and then slide follow the arrow's direction refers to Fig.5-9
- 2) Loosen the hanger of the putdown side refers to Fig.5-10
- 3) Open the inlet grille (about 45°), and remove the other side, refers to Fig.5-11

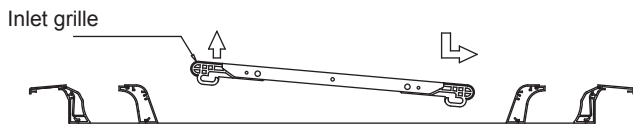


Fig.5-11

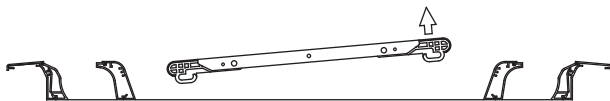


Fig.5-12

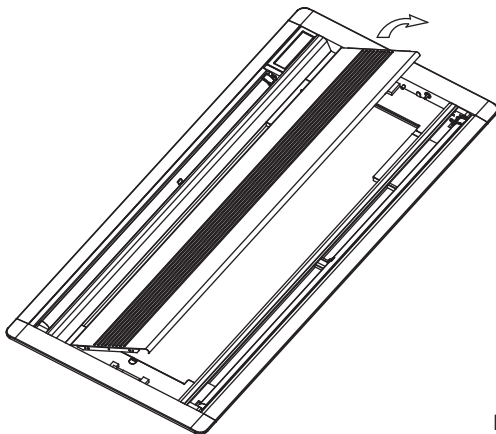


Fig.5-13

- According to the figure shown in the position and direction of arrow, press the filter and take it down. In the same way, take down the filter on the other side, and put it back after cleaning.

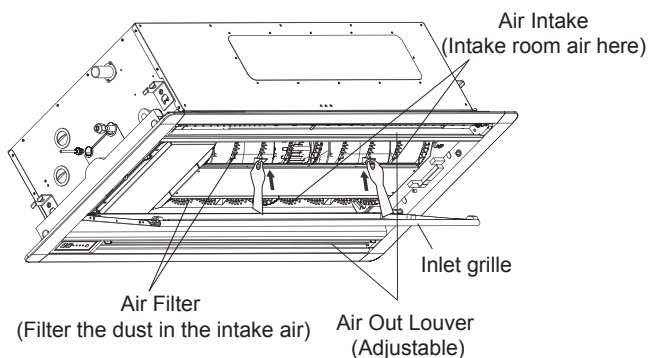


Fig.5-14

2. Dismantle the air filter.

3. Clean the air filter

The air filter can prevent the dust or other particulate from going inside. In case of blockage of the filter, the working efficiency of the air conditioner may greatly decrease.

Therefore, the filter must be cleaned twice a month during prolonged use.

Clean the air filter with vacuum cleaner or water.

- The inlet side should face up when using vacuum cleaner. (Refer to Fig.5-13)
- The inlet side should face down when using clean water. (Refer to Fig.5-14)

If the dust accumulation is too heavy, please use soft brush and natural detergent to clean it and dry in the cool place.

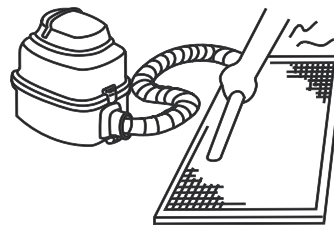


Fig.5-15

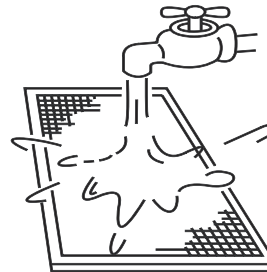


Fig.5-16



CAUTION

- Do not dry out the air filter under direct sunshine or with fire.
- For the one-way cassette type, the air filter should be installed before the unit body installation.

4. Re-install the air filter.

- Install and close the inlet grille in the reverse orders of step 1 and 2 and connect the control box cables to the corresponding terminators of the main body.

■ Maintenance before a long stop period

(eg. at the end of the season)

Let the indoor units run in fan only operation for about half a day in order to dry the interior of the units.

Clean air filters and casings of indoor units.

Refer to "Cleaning the air filter" for details on how to proceed and make sure to install cleaned air filters back in the same position.

Turn off the unit with the "ON/OFF" button on the remote controller, then disconnect the power.



NOTE

When the power switch is connected, some energy will be consumed, even if the unit is not in operation. So please disconnect the power to save the energy.

A degree of dirt will be accumulated due to certain performance after several seasons of operation. So special maintenance is advised.

Take out of the batteries from the remote controller.

■ **Maintenance after a long stop period**

(eg. at the beginning of the season)

Check and remove everything that might be blocking inlet and outlet vents of indoor units and outdoor units.

Clean air filters and casings of indoor units.

Refer to "Cleaning the air filter" for details on how to proceed and make sure to install cleaned air filters back in the same position.

Turn on the power at least 12 hours before operating the unit in order to ensure smoother operation. As soon as the power is turned on, the remote controller displays appear.

■ **Digital scroll central air conditioning auxiliary heating equipment**

In winter, due to the difference of the area and building construction, please purchase the indoor unit with auxiliary heating to enlarge the capacity.

When turning to the heat mode the air conditioner with auxiliary heating will run at the set term.

It's not advised to auxiliary heating equipments on site for 4-way cassette type and duct/ceiling type (with auxiliary heating).

6. FOLLOWING SYMPTOMS ARE NOT AIR CONDITIONER TROUBLES

Symptom 1: The system does not operate

- The air conditioner does not start immediately after the ON/OFF button on the remote controller is pressed.
If the operation lamp lights, the system is in normal condition. To prevent overloading of the compressor motor, the air conditioner starts 3 minutes after it is turned ON.
- If the operation lamp and the "PRE-DEF indicator (cooling and heating type) or fan only indicator (cooling only type)" light, it means you choose the heating model. When just starting, if the compressor has not started, the indoor unit appears "anti cold wind" protection because of too low outlet temperature.

Symptom 2: Change into the fan mode during cooling mode

- In order to prevent the indoor evaporator frosting, the system will change into fan mode automatically, restore to the cooling mode will be done automatically after.
- When the room temperature drops to the set temperature, the compressor turns off and the indoor unit changes to fan mode; when the temperature rises up, the compressor starts again. It is same in the heating mode.

Symptom 3: White mist comes out of a unit

Symptom 3.1: Indoor unit

- When humidity is high during cooling operation. If the interior of an indoor unit is extremely contaminated, the temperature distribution inside a room becomes uneven. It is necessary to clean the interior of the indoor unit. Ask your dealer for details on cleaning the unit. This operation requires a qualified service person.

Symptom 3.2: Indoor unit, outdoor unit

- When the system is changed over to heating operation after defrost operation. Moisture generated by defrost becomes steam and is exhausted.

Symptom 4: Noise of air conditioners cooling

Symptom 4.1: Indoor unit

- A continuous low hissing sound is heard when the system is in cooling operation or at a stop.
When the drain pump (optional accessories) is in operation, this noise is heard.
- A squeaking sound is heard when the system stops after heating operation.
Expansion and contraction of plastic parts caused by temperature change make this noise.

Symptom 4.2: Indoor unit, outdoor unit

- A continuous low hissing sound is heard when the system is in operation.
This is the sound of refrigerant gas flowing through both indoor and outdoor units.
- A hissing sound which is heard at the start or immediately after stopping operation or defrost operation.
This is the noise of refrigerant caused by flow stop or flow change.

Symptom 4.3: Outdoor unit

- When the tone of operating noise changes.
This noise is caused by the change of frequency.

Symptom 5: Dust comes out of the unit

- When the unit is used for the first time in a long time.
This is because dust has got into the unit.

Symptom 6: The units can give off odours

- The unit can absorb the smell of rooms, furniture, cigarettes, etc., and then emit it again.

Symptom 7: The outdoor unit fan does not spin.

- During operation. The speed of the fan is controlled in order to optimize unit operation.

7. TROUBLE SHOOTING

7.1 Troubles and causes of air conditioner

If one of the following malfunctions occur, stop operation, shut off the power, and contact with your dealer.

- Remote controller receives malfunction or the button does not work well.
- A safety device such as a fuse, a breaker frequently actuates.
- Obstacles and water enter the unit.
- Water leaks from indoor unit.
- Other malfunctions.

If the system does not properly operate except the above mentioned cases or the above mentioned malfunctions is evident, investigate the system according to the following procedures. (See in Table 7-1)

Table 7-1

Symptoms	Causes	Solution
Unit does not start	<ul style="list-style-type: none"> • Power failure. • Power switch is off. • Fuse of power switch may have burned. • Batteries of remote controller exhausted or other problem of controller. 	<ul style="list-style-type: none"> • Wait for the comeback of power. • Switch on the power. • Replace the fuse. • Replace the batteries or check the controller.
Air flows normally but does not cool	<ul style="list-style-type: none"> • Temperature is not set correctly. • Be in 3 minutes protection of compressor. 	<ul style="list-style-type: none"> • Set the temperature properly. • Wait.
Units start or stop frequently	<ul style="list-style-type: none"> • Refrigerant is too little or too much. • Air or no concreting gas in the refrigerating circuit. • Compressor is malfunction. • Voltage is too high or too low. • System circuit is blocked. 	<ul style="list-style-type: none"> • Check leakage, and rightly recharge refrigerant. • Vacuum and recharge refrigerant. • Maintenance or change compressor. • Install manostat. • Find reasons and solution.
Low cooling effect	<ul style="list-style-type: none"> • Outdoor unit and indoor unit heat exchanger is dirty. • The air filter is dirty. • Inlet/outlet of indoor/outdoor units is blocked. • Doors and windows are open • Direct sunlight. • Too much heat resource. • Outdoor temp. is too high. • Leakage of refrigerant or lack of refrigerant. 	<ul style="list-style-type: none"> • Clean the heat exchanger. • Clean the air filter. • Eliminate all dirt. • Close doors and windows. • Use curtains in order to shelter from sunshine. • Reduce heat source. • AC cooling capacity reduces (normal). • Check leakage and rightly recharge refrigerant.
Low heating effect	<ul style="list-style-type: none"> • Outdoor temperature is lower than 7°C. • Doors and windows not completely closed. • Leakage of refrigerant or lack of refrigerant. 	<ul style="list-style-type: none"> • Use heating device. • Close doors and windows. • Check leakage and rightly recharge refrigerant.

7.2 Troubles and causes of remote controller

Before asking for serving or repairing, check the following points.(See in Table 7-2)

Table 7-2

Symptoms	Causes	Solution
The fan speed can not be changed.	<ul style="list-style-type: none"> Check whether the MODE indicated on the display is "AUTO" 	When the automatic mode is selected, the air conditioner will automatically change the fan speed.
	<ul style="list-style-type: none"> Check whether the MODE indicated on the display is "DRY" 	When dry operation is selected, the air conditioner automatically change the fan speed. The fan speed can be selected during "COOL", "FAN ONLY", and "HEAT".
The remote controller signal is not transmitted even when the ON/OFF button is pushed.	<ul style="list-style-type: none"> Check whether the batteries in the remote controller are exhausted. 	The power supply is off.
The TEMP. indicator does not come on.	<ul style="list-style-type: none"> Check whether the MODE indicated on the display is FAN ONLY 	The temperature cannot be set during FAN mode.
The indication on the display disappears after a lapse of time.	<ul style="list-style-type: none"> Check whether the timer operation has come to an end when the TIMER OFF is indicated on the display. 	The air conditioner operation will stop up to the set time.
The TIMER ON indicator goes off after a lapse of certain time.	<ul style="list-style-type: none"> Check whether the timer operation is started when the TIMER ON is indicated on the display. 	Up to the set time, the air conditioner will automatically start and the appropriate indicator will go off.
No receiving tone sounds from the indoor unit even when the ON/OFF button is pressed.	<ul style="list-style-type: none"> Check whether the signal transmitter of the remote controller is properly directed to the infrared signal receiver of the indoor unit when the ON/OFF button is pressed. 	Directly transmit the signal transmitter of the remote controller to the infrared signal receiver of the indoor unit, and then repeatedly push the ON/OFF button twice.

7.3 Fault information and code

Fault information is only applicable for the indoor units with panel, and only the panel with digit displays will show the fault code, otherwise just four LED lamps. The fault indication of LED and digit displays see the following form.

Table.7-3

The Fault Indication Of LED

NO.	Type	Contents	LED flash	Remarks
1	Malfun- ction	The evaporator sensor check point is abnormal or room temp. sensor is abnormal.	The run LED flashes fast	After the malfunctions disappear, it restores automatically.
2	Malfun- ction	Indoor/outdoor unit communication is abnormal	The timer LED flashes fast	After the malfunctions disappear, it restores automatically.
3	Malfun- ction	Outdoor unit is abnormal	The alarm LED flashes slowly	After the malfunctions disappear, it restores automatically.
4	Malfun- ction	Water level switch is abnormal	The alarm LED flashes fast	After the malfunctions disappear, it restores automatically.
5	Alarm	Mode conflict	The defrost LED flashes fast	When the indoor unit turns to heating mode or is turned off, the alarm will disappear.
6	Alarm	M_Home mismatching	4 LED flash together	When the indoor unit is replaced with a correct one or is turned off, the alarm will disappear
7	Malfun- ction	EEPROM error	Defrost LED flash slowly	After the malfunctions disappear, it restores automatically.
8	Alarm	No address when first time power on	Timer LED and run LED flash together	After the malfunctions disappear, it restores automatically.

Table.7-4

The Fault Indication Of Digit Displays

NO.	Type	Contents	Display content	Remarks
1	Malfun- ction	Room temp. sensor is abnormal.	E2	After the malfunctions disappear, it restores automatically.
2	Malfun- ction	Indoor/outdoor unit communication is abnormal	E1	After the malfunctions disappear, it restores automatically.
3	Malfun- ction	Outdoor unit is abnormal	Ed	After the malfunctions disappear, it restores automatically.
4	Malfun- ction	Water level switch is abnormal	EE	After the malfunctions disappear, it restores automatically.
5	Alarm	Mode conflict	E0	When the indoor unit turns to heating mode or is turned off, the alarm will disappear.
6	Alarm	M_Home mismatching	H0	When the indoor unit is replaced with a correct one or is turned off, the alarm will disappear
7	Malfun- ction	EEPROM error	E7	After the malfunctions disappear, it restores automatically.
8	Alarm	No address when first time power on	FE	After the malfunctions disappear, it restores automatically.
9	Malfun- ction	The evaporator temp. sensor is abnormal.	E3	After the malfunctions disappear, it restores automatically.
10	Malfun- ction	The evaporator outlet temp. sensor is abnormal.	E4	After the malfunctions disappear, it restores automatically.

