

AZ762 relay and ES 50 socket technical specification

Relay features

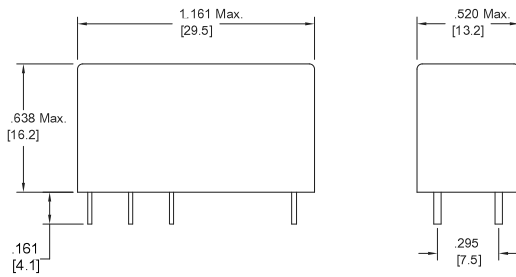
- Dielectric strength 5000 Vrms
- AC and DC coils
- 16 Amp Switching
- Isolation spacing greater than 10 mm
- Materials: silver cadmium oxide, silver nikel and silver tin oxide

Technical data

- Mechanical life – 1x10⁷ cycles
- Electrical life – 1x 10⁵ at 16 A 240 V AC Res.
- Operate/release time: 7/3 ms
- Dielectric strength between open contacts/coil to contact: 1000/5000 Vrms
- Ambient temperature range –40...+130 °C

Contact specification

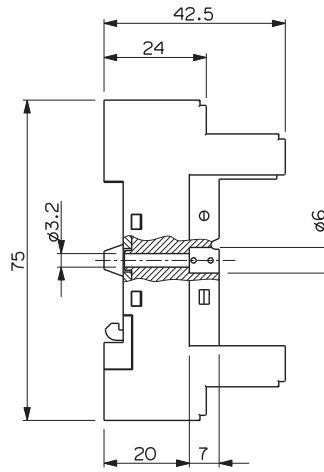
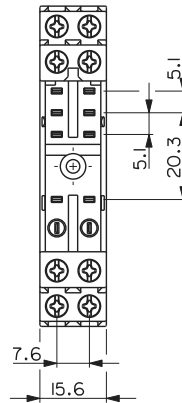
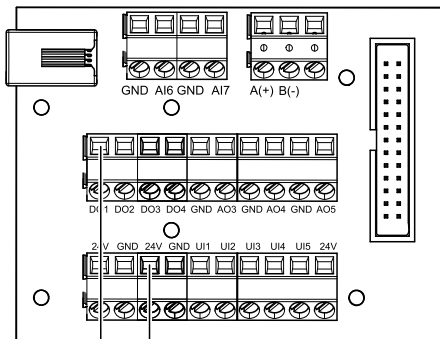
- Max. switched power: 480 W or 4432 VA
- Max. switched current: 16 A
- Max. switched voltage: 150 V DC or 440 V AC
- Rated load: 16 A at 277 V AC resistive, 50k cycles (silver cadmium oxide)
16 A at 277 V AC resistive, 100k cycles (silver nikel)
16 A at 277 V AC resistive, 75k cycles (silver tin oxide)
- VDE: 16 A at 250 V AC resistive (silver cadmium oxide and silver tin oxide)



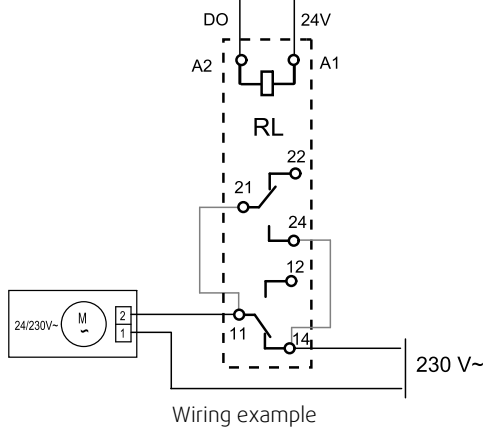
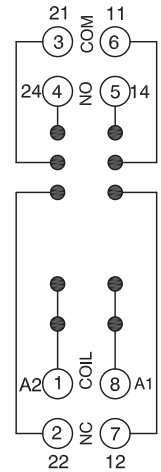
Side view

Socket technical data

- Rated values – 12 A/300 V (CSA), 10 A/300 V (UL)
- Dielectric strength – 2500V between coil and contacts
- Ambient temperature: –25...+85 °C
- Screw thread – M3
- Wire strip length – 7 mm



Socket



Wiring example