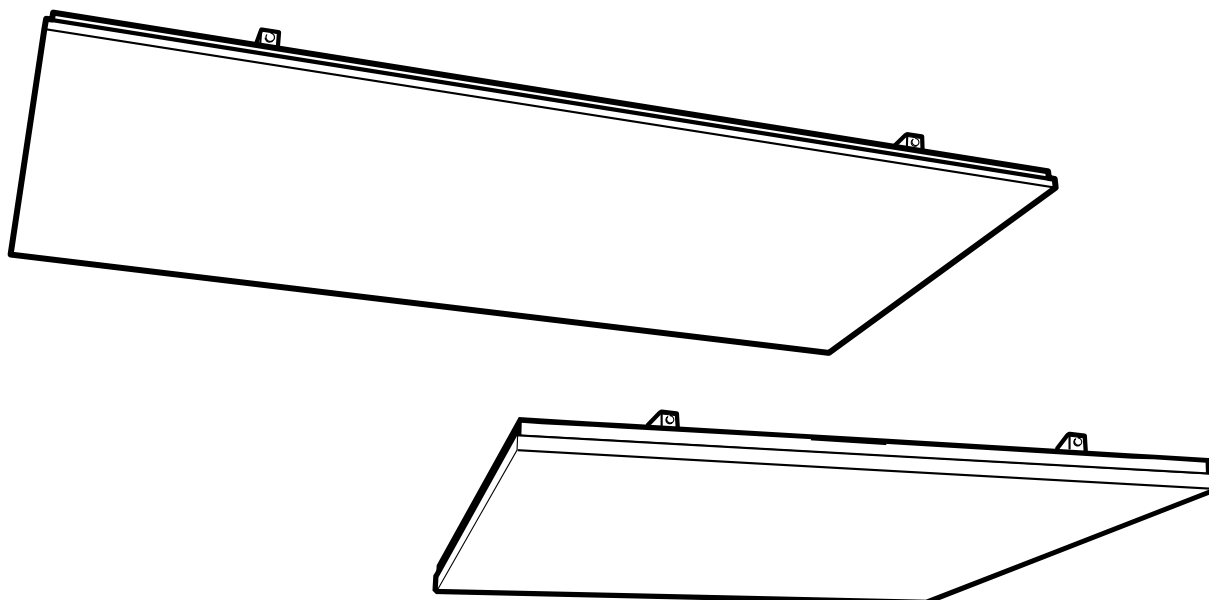


Original instructions

Thermocassette HP



SE ... 9

GB ... 11

NO ... 13

FR ... 15

DE ... 17

FI ... 19

RU ... 21

SE

EU-kommissionens Ecodesignförordning (EU) 2015/1188 för rumsvärmare skiljer på användningsområden för olika installationer.

Förordningen gäller då installationen är avsedd att skapa värmekomfort för människor som vistas i lokalen. Förordningen gäller inte för installationer som är avsedda för värmebehov av mer teknisk art såsom grundvärme i maskinrum, värmebehov i produktionsprocesser, frostskydd, etc. Förordningen gäller heller inte installationer i fordon, offshore eller utomhus.

Många av Fricos produkter kan användas både som rumsvärmare (definierade enligt (EU) 2015/1188) och som värmare för tekniska behov. **Vid installationstillfället är det upp till ansvarig installatör att bedöma om Ecodesignförordningen är applicerbar eller inte.** Regleringslösningar för installationer som inte omfattas av Ecodesignförordningen redovisas i separat tabell.

GB

Ecodesign Regulation (EU) 2015/1188 concerning local space heaters does not apply to all application areas.

The Regulation applies when an installation is intended to provide thermal comfort for people in the premises. The Regulation does not apply to heating installations of a more technical nature e.g. in engineering/utility rooms, in production processes, frost protection, etc. The Regulation also does not apply to installations in vehicles, offshore or outdoors.

Many of Frico's products can be used as both local space heaters (as defined in (EU) 2015/1188) and for technical heating purposes. **It is up to the installer responsible for the installation to assess whether the Ecodesign Regulation is applicable or not.** Control solutions for installations not covered by the Ecodesign Regulation are listed in a separate table.

NO

Økodesigndirektivet (EU) 2015/1188 som gjelder varmeovner, gjelder ikke alle bruksområder.

Direktivet gjelder når en installasjon har som formål å skape en komfortabel temperatur for personene på stedet. Direktivet gjelder ikke til oppvarmingsinstallasjoner av det mer tekniske slaget, som i produktutviklingsrom, bruksområder, i produksjonsprosesser, frostbeskyttelse etc. Direktivet gjelder heller ikke installasjoner som befinner seg i kjøretøy, offshore eller utendørs.

Mange av Fricos produkter kan brukes både som varmeovner (som definert i 2015/1188) og til formål innen teknisk oppvarming. **Det er opp til installatøren som er ansvarlig for installasjonen å vurdere hvorvidt Økodesigndirektivet er gjeldende eller ikke.** Reguleringsløsninger for installasjoner som ikke dekkes av Økodesigndirektivet står oppført i en separat tabell

FR

La réglementation relative à l'écoconception (UE) 2015/1188 concernant les dispositifs de chauffage décentralisés ne s'applique pas à tous les cas.

Elle s'applique lorsqu'une installation est destinée à assurer un confort thermique à des personnes dans les locaux. Elle ne s'applique pas au chauffage d'installations d'une nature plus technique (salles des machines/de service, processus de production, protection contre le gel, etc.). Elle ne s'applique pas non plus aux installations qui se trouvent à bord de véhicules, offshore ou en extérieur.

De nombreux produits Frico peuvent être utilisés comme des dispositifs de chauffage décentralisés (tel que défini dans la réglementation (UE) 2015/1188) et à des fins de chauffage technique. **Il appartient à l'installateur de déterminer si la réglementation relative à l'écoconception s'applique ou non.** Les solutions de contrôle pour les installations qui ne sont pas couvertes par la réglementation relative à l'écoconception sont présentées dans un tableau distinct.

DE

Die Ökodesign-Verordnung (EU) 2015/1188 über Einzelraumheizgeräte trifft nicht auf alle Anwendungsgebiete zu.

Die Verordnung findet Anwendung, wenn eine Installation dazu bestimmt ist, innerhalb eines Raumes ein für den Menschen angenehmes Temperaturniveau zu erreichen. Die Verordnung findet keine Anwendung auf Heizungsinstallationen technischer Natur, z. B. in Technik-/Wirtschaftsräumen, bei Produktionsprozessen, für Frostschutz usw. Die Verordnung findet ebenfalls keine Anwendung bei Installationen in Fahrzeugen, Offshoreanlagen und Außenbereichen.

Viele Frico-Produkte können sowohl als Einzelraumheizgerät (gemäß Definition nach (EU) 2015/1188) als auch für technische Heizprozesse eingesetzt werden. **Der Monteur, der für die Installation verantwortlich ist, muss beurteilen, ob die Ökodesign-Verordnung anwendbar ist oder nicht.** Steuerungslösungen für Installationen, die nicht unter die Ökodesign-Verordnung fallen, sind in einer separaten Tabelle aufgelistet.

FI

Paikallisia tilalämmittimiä käsittelevä Ecodesign-asetus (EU) 2015/1188 ei kata kaikkia käyttökohteita.

Asetus on voimassa ainoastaan silloin, kun lämmittimellä halutaan parantaa tiloissa olevien ihmisten lämpömukavuutta. Asetus ei koske teknisempiä lämmitysjärjestelmiä esim. konehuoneissa/kodinhoitohuoneissa, tuotantoprosesseissa, pakkassuojausta, jne. Asetus ei myöskään koske ajoneuvoissa, laivoissa ja ulkona käytettäviä järjestelmiä.

Useita Frico-tuotteita voidaan käyttää sekä paikallisina tilalämmittiminä (asetuksen (EU) 2015/1188 mukaan) että teknisempiin lämmitystarkoituksiin. **Asentajan on määritettävä sovelletaanko asennukseen Ecodesign-asetusta vai ei.** Ohjauksratkaisut asennuksiin, joita Ecodesign-asetus ei käsittele, on lueteltu erillisessä taulukossa

RU

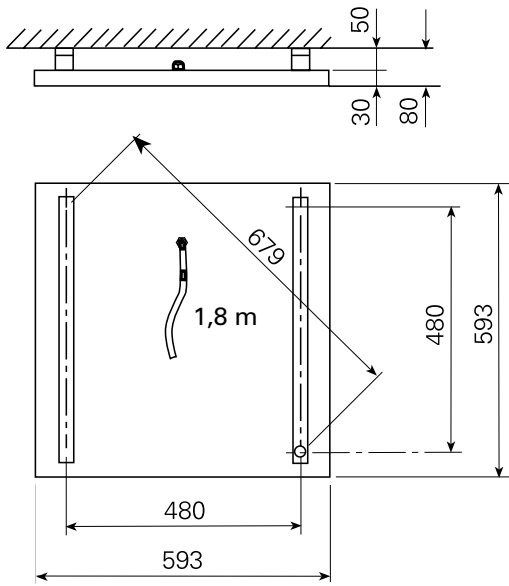
Положения требований Экодизайн (EU) 2015/1188 по приборам локального обогрева не охватывают все возможные области их применения.

Требования Экодизайн применяются, когда установка предназначена для обеспечения теплового комфорта людей в помещениях. Эти Требования не распространяются на установки и системы обогрева более сложного технического характера, например, при обогреве технических, служебных и производственных помещений, при организации защиты от замерзания и т. д. Также требования Экодизайн не применяются в случае установки оборудования в транспортных средствах, сооружениях на море и на открытых площадках.

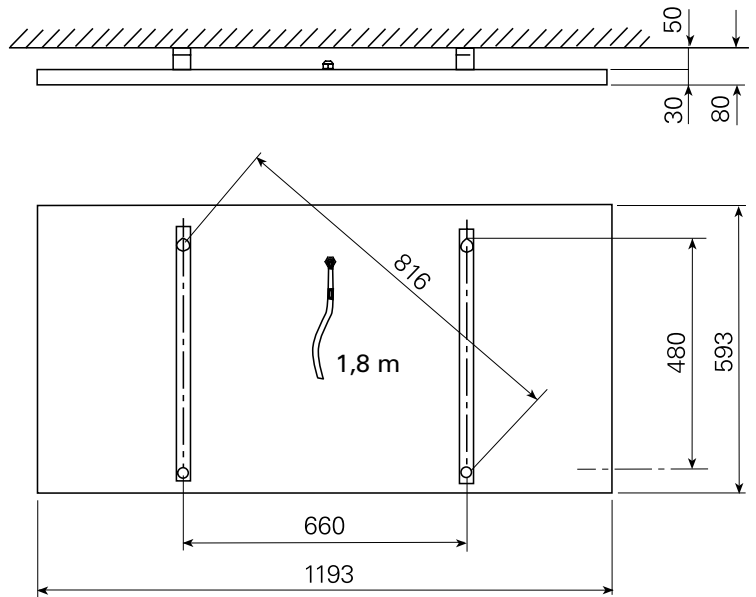
Многие виды оборудования Frico могут применяться как в качестве приборов локального обогрева (как определено нормативами (EU) 2015/1188) так и в качестве составных частей обогревательных систем общественных и производственных зданий. **Ответственность за определение необходимости применения или не применения требований Экодизайн несет организация, осуществляющая монтаж данного оборудования.** Приборы управления для установок оборудования, не подпадающих под положения требований Экодизайн, перечислены в отдельной таблице.

Thermocassette HP

HP3N



HP6N



Minimum mounting distance

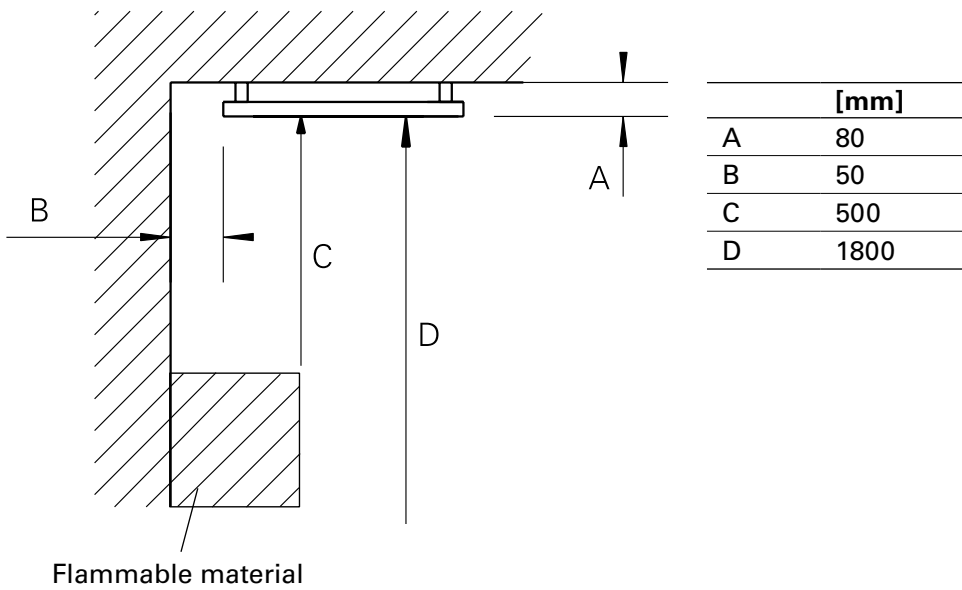


Fig. 1

Mounting

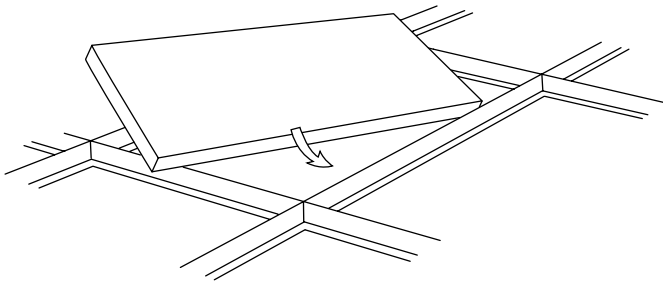


Fig. 1

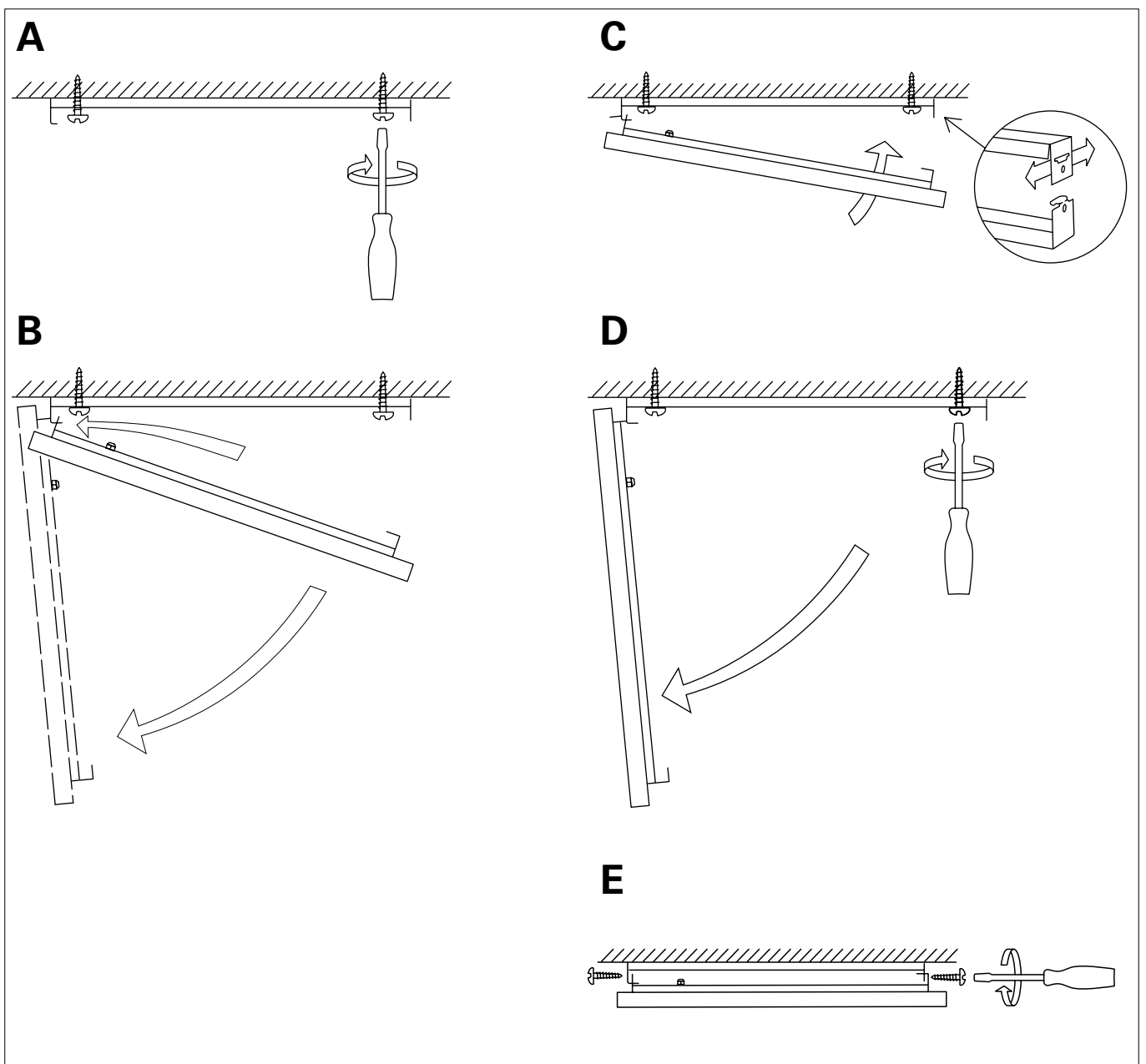


Fig. 2

Thermocassette HP

Technical specifications

Type	Output (1) [W]	Voltage (2) [V]	Amperage (3) [A]	Max. surface temperature (4) [°C]	Weight (5) [kg]
HP3N	300	230V~	1,3	100	5,8
HP6N	600	230V~	2,6	100	10,7

Protection class: IP55

CE compliant.

Complies with the requirements for flammable areas according to SEMKO 111FF.

SE: Uppfyller kraven för brandfarliga rum enligt SEMKO 111FF.

GB: Complies with requirements of flammable areas according to SEMKO 111FF.

NO: Oppfyller kravene til antenkelige områder i henhold til SEMKO 111FF.

FR: Conforme aux normes sur les zones inflammables d'après SEMKO 111FF.

DE: Erfüllt die Anforderungen an brennbare Bereiche gemäß SEMKO 111FF.

FI: Täyttää palovaarillisille tiloille asetetut vaatimukset SEMKO111FF mukaisesti.

RU: Отвечает требованиям по пожарной безопасности в соответствии со стандартом SEMKO 111FF.

(1)
SE: Effekt
GB: Output
NO: Effekt
FR: Puissance
DE: Heizleistung
RU: Мощность
FI: Lämmitysteho

(3)
SE: Ström
GB: Amperage
NO: Strøm
FR: Intensité
DE: Stromstärke
RU: Ток
FI: Virta

(5)
SE: Vikt
GB: Weight
NO: Vekt
FR: Poids
DE: Gewicht
RU: Бес
FI: Paino

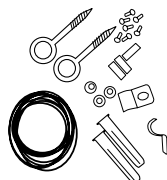
(2)
SE: Spänning
GB: Voltage
NO: Spenning
FR: Tension
DE: Spannung
RU: Напряжение
FI: Jännite

(4)
SE: Maximal yttemperatur
GB: Max. surface temperature
NO: Maksimal overflatetemp.
FR: Température de surface
DE: Max. Oberflächentemperatur
RU: Max. температура поверхности
FI: Suurin pintalämpötila

Thermocassette HP

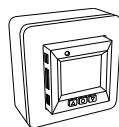
Accessories

Type
74701 Wire mounting kit

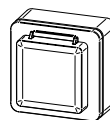


Controls

Type	HxWxD [mm]
TAP16R	87x87x53
TEP44	87x87x55
RTX54	82x88x25
SKG30	115x85x40



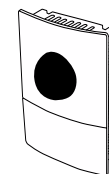
TAP16R



TEP44



RTX54



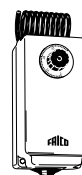
SKG30

Controls for installations not covered by the Ecodesign Regulation (EU) 2015/1188

Type	HxWxD [mm]
KRT1900	165x57x60
KRTV19	165x57x60



KRT1900



KRTV19

SE: Regleringar för installationer som inte omfattas av Ecodesign, förordning (EU) 2015/1188

NO: Reguleringsløsninger for installasjoner som ikke dekkes av Økodesigndirektivet (EU) 2015/1188

FR: Régulations pour les installations non couvertes par la réglementation relative à l'écoconception (UE) 2015/1188

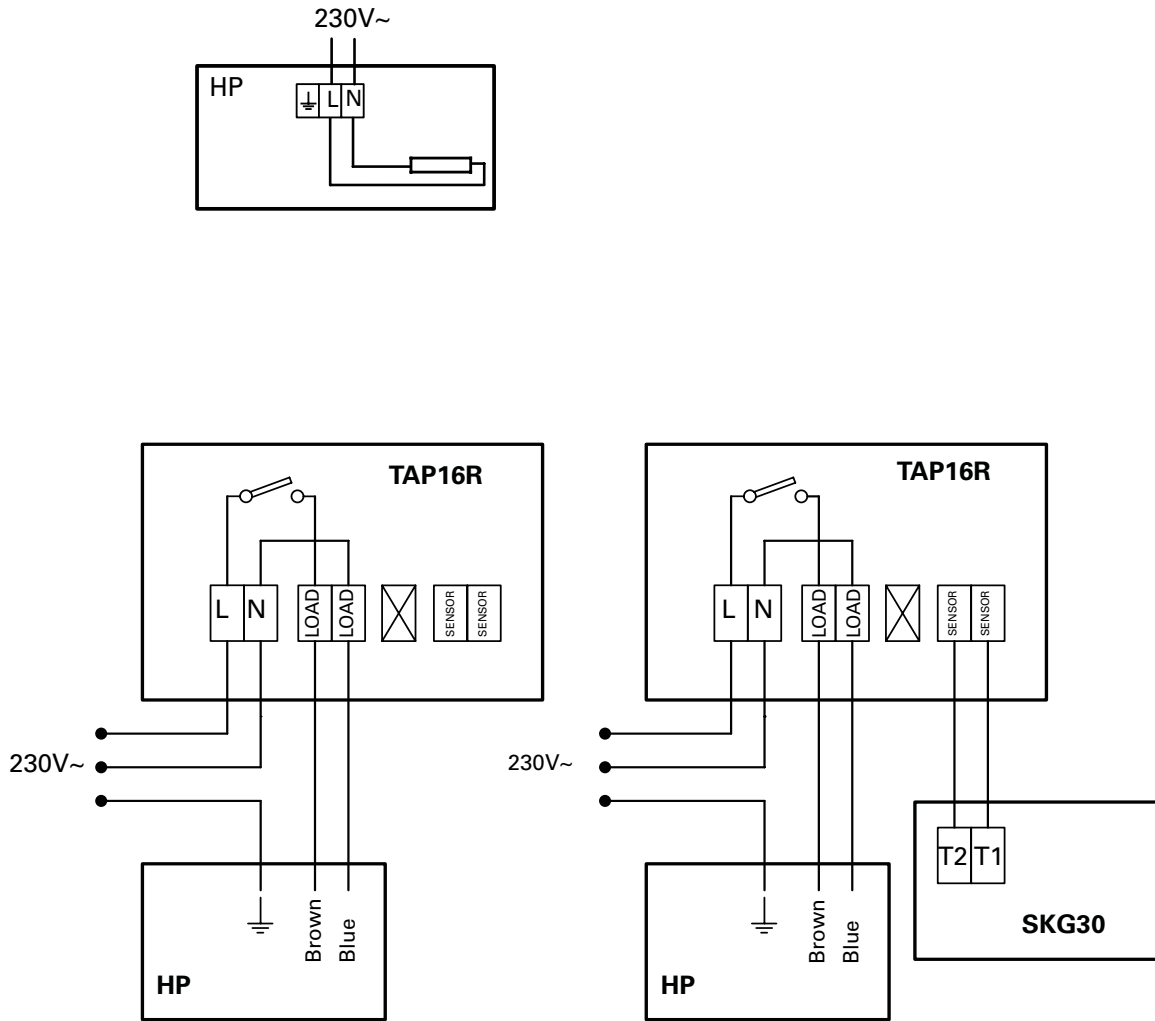
DE: Steuerungen für Installationen, die nicht unter die Ökodesign-Verordnung (EU) 2015/1188 fallen

FI: Ohjaustratkaisut asennuksiin, joita Ecodesign-asetus (EU) 2015/1188 ei käsittelen

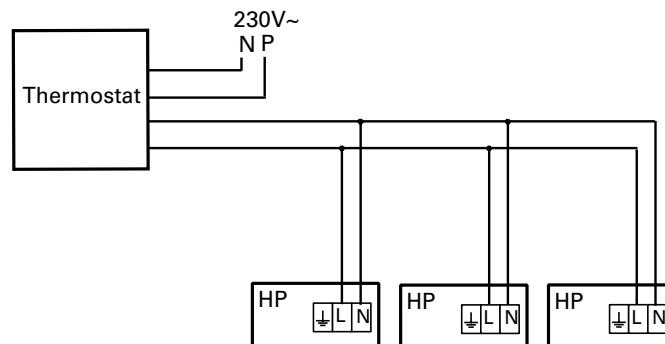
RU: Приборы управления для установок оборудования, не подпадающих под нормы требований Экодизайн (EU) 2015/1188

Thermocassette HP

Wiring diagram



Controls for installations not covered by the Ecodesign Regulation (EU) 2015/1188



Installation and operating instructions

General Instructions

Read these instructions carefully before installation and use. Keep this manual for future reference.

The product may only be used as set out in the assembly and operating instructions. The guarantee is only valid if the product is used in the manner intended and in accordance with the instructions.

Application area

The heating panel is intended for the heating of rooms requiring free walls. The panel can be used for complete heating, or as an additional heater (e.g. over a reception desk or other work place).

There are two ratings: 300 W and 600 W.

The heating panel provides mainly radiation heating. This implies that to obtain the same experienced temperature it is possible to reduce the air temperature in the room, which saves energy.

Because of the low surface temperature, max 100°C, the heating panel is suitable for rooms with relatively low ceiling height. Thanks to the location, the panel is protected from any physical contact or damage. There is no risk of being burned.

Mounting

Integrated in ceiling (put in exposed grid)

See fig. 1

1. Lateral distance to wall shall be at least 50 mm.
2. The heater(s) should only be wired by a competent electrician, and in accordance with existing national regulations.
3. Place the cassette in the required ceiling square. Minimum design height "H" for dismantling, T-profile 32x15: 150 mm, T-profile 38x24: 200 mm. NOTE! Avoid fixing vertical bars in the T-profile where a heating panel is to be installed. The panel fills out the whole square.
4. Connect the panel.
5. The second last page in this mounting instruction is to be filled out and fixed adjacent to the distribution board and it has to contain (drawing) the locations of the heating units.

Bracket mounting

See fig. 2

1. Mounting height above floor shall be at least 1,8 m, and lateral distance to wall at least 50 mm. When mounting in gypsum board, make sure that the mounting brackets are anchored in the beam behind. During long-term high temperatures the strength of the board is reduced.
2. The heater(s) should only be wired by a competent electrician, and in accordance with existing national regulations.
3. Measure, drill and screw the two loose brackets to the ceiling. Do not tighten the screws yet. It is important that the holes come at right angles, cross measure. (fig. 2A)
4. Hook the panel brackets to the ones on the ceiling (only the side nearest to the cable gland). Allow panel to hang vertical. (fig. 2B)
5. Connect the panel.
6. Swing up the panel, and adjust the lateral position of the ceiling mounted brackets. (fig. 2C)
7. Swing down the panel and tighten the screws in the ceiling. (fig. 2D)
8. Swing up the panel again and hook the panel bracket ends in the ceiling brackets. NOTE! Make sure that the brackets do not become unhooked at the other end.
9. Secure the panel with a screw (enclosed on delivery) at each hanging point. (fig. 2E)
10. The second last page in this mounting instruction is to be filled out and fixed adjacent to the distribution board and it has to contain (drawing) the locations of the heating units.

Replacement of cable

1. Because of limitations in the IP55 category the cable cannot be changed.
2. If the cable is damaged the unit has to be scrapped.

Control

When using this product as a local space heater according to Ecodesign Regulation (EU) 2015/1188, it must be supplemented with one of the following approved controls.

- TAP16R, electronic thermostat that includes:
 - Electronic room temperature control plus week timer
 - Room temperature control with open window detection
 - Adaptive start control
- TAP16R and SKG30, black bulb sensor that include:
 - Electronic room temperature control plus week timer
 - Room temperature control with open window detection
 - Adaptive start control
 - Black bulb sensor

The product can be controlled in a different way, e.g. by an overall control system (BMS), but in that case the responsibility lies with the installer to ensure that the control system is programmed to make the installation meet the requirements of Ecodesign Regulation (EU) 2015/1188.

Packaging

Packaging materials are chosen with consideration to environment and are therefore recyclable.

Handling of product at end of working life

This product may contain substances necessary for functionality of product but potentially dangerous for the environment. The product should not be disposed mixed with general household waste but delivered to a designated collection point for environmental recycling. Please contact local authority for further details of your nearest designated collection point. Recycling of used products saves earth's resources and reduces global footprint.

Safety

- *For all installations of electrically heated products should a residual current circuit breaker 300 mA for fire protection be used.*
- *The unit may have hot surfaces during operation and when cooling down!*
- *The unit must not be fully or partially covered with clothing, or similar materials, as overheating can result in a fire risk! (E)*
- *This appliance can be used by children aged from 8 years and above and persons with reduced physical, sensory or mental capabilities or lack of experience and knowledge if they have been given supervision or instruction concerning use of the appliance in a safe way and understand the hazards involved. Children shall not play with the appliance. Cleaning and user maintenance shall not be made by children without supervision.*

Place this drawing adjacent to the distribution board

OBS!

- do not restrict the thermal emission of the heated ceiling
- do not affix materials other than those recommended
- do not insert nails or screws

HP3N, 300W, 220-240V
HP6N, 600W, 220-240V

Drawing of the installation



FRICO



Main office

Frico AB
Box 102
SE-433 22 Partille
Sweden

Tel: +46 31 336 86 00
mailbox@frico.se
www.frico.se

**For latest updated information and information
about your local contact: www.frico.se**