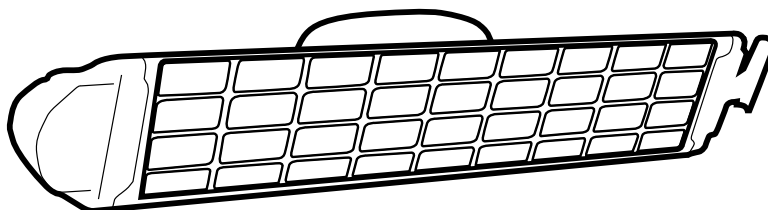


## Infrared heater ELIR



SE ... 4

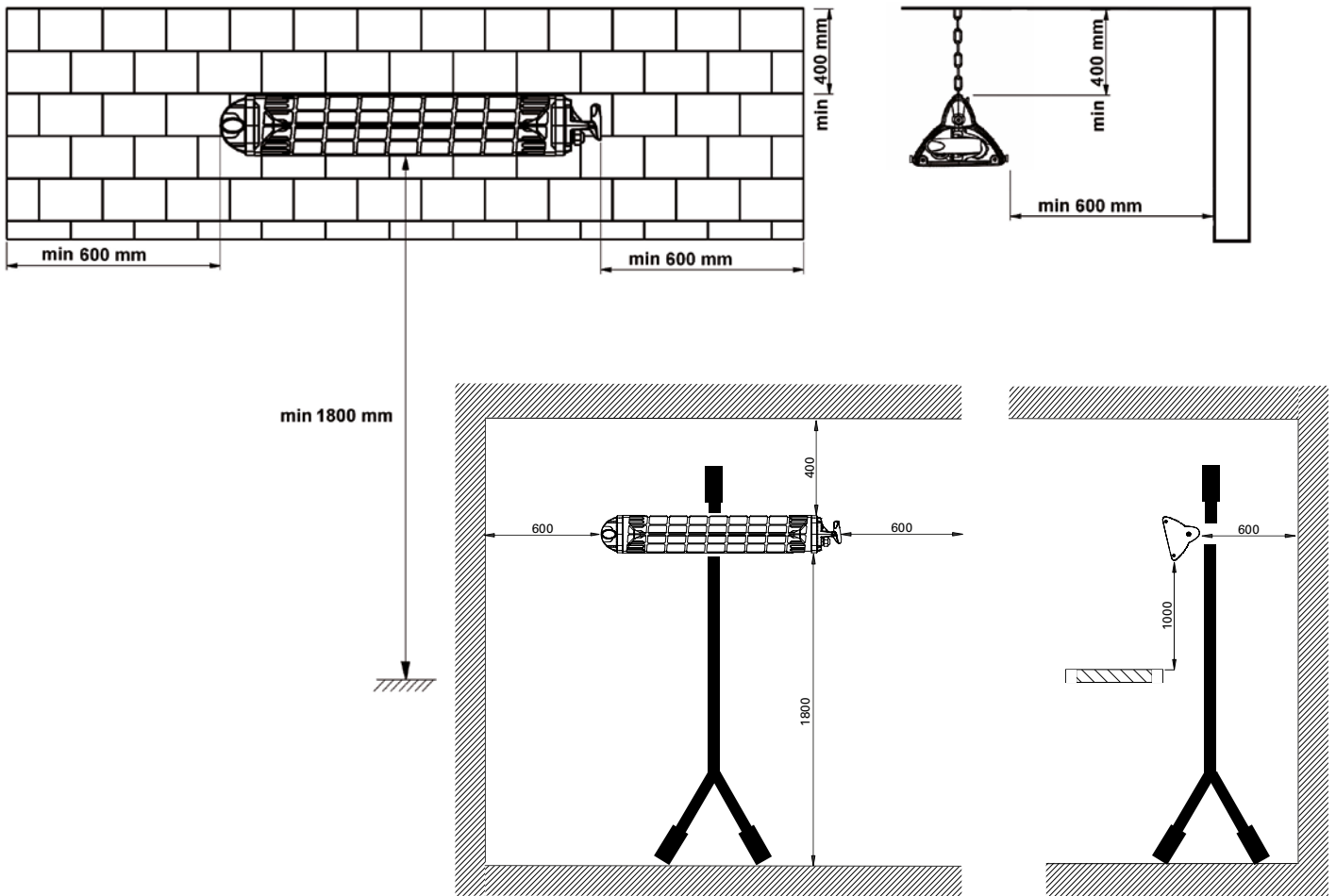
GB ... 6

FR ... 8

RU ... 11

**Minimum mounting distance**

**Минимальные расстояния при установке**



**Mounting**  
**Установка**

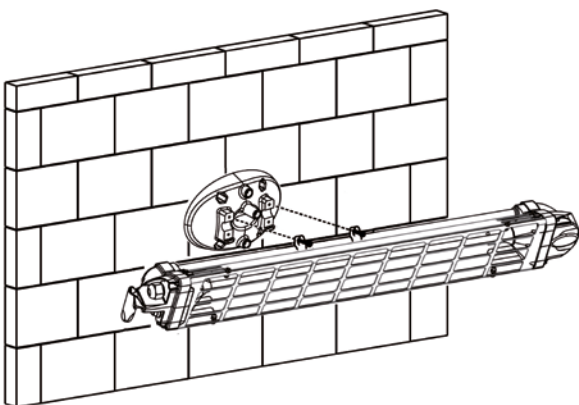
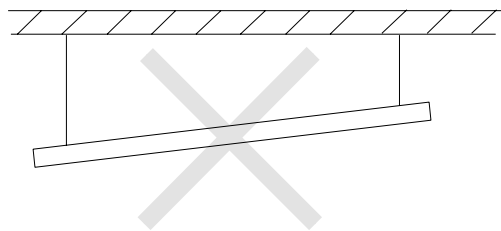


Fig. 1: Wall mounting  
Рис1 Настенное крепление



**NB! The lamp must be horizontal at all times. If moving the heater it has to be switched off while doing so.**

**Внимание! Прибор должен располагаться с обязательным горизонтальным расположением продольной оси лампы. При необходимости перемещения прибор следует отключать от сети.**

**Mounting alternatives (not standard)**  
**Возможные варианты установки**

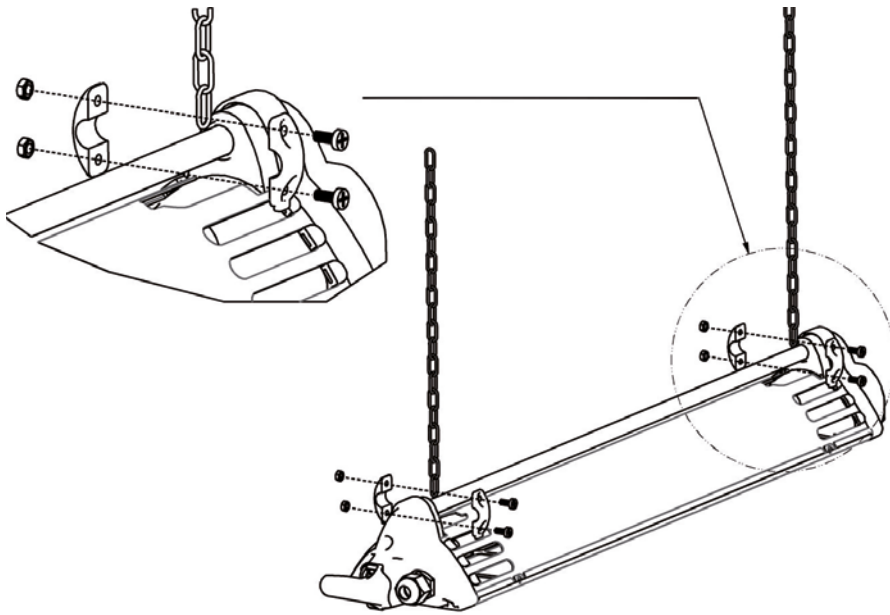


Fig. 2: ELIRC  
Рис.2. ELIRC

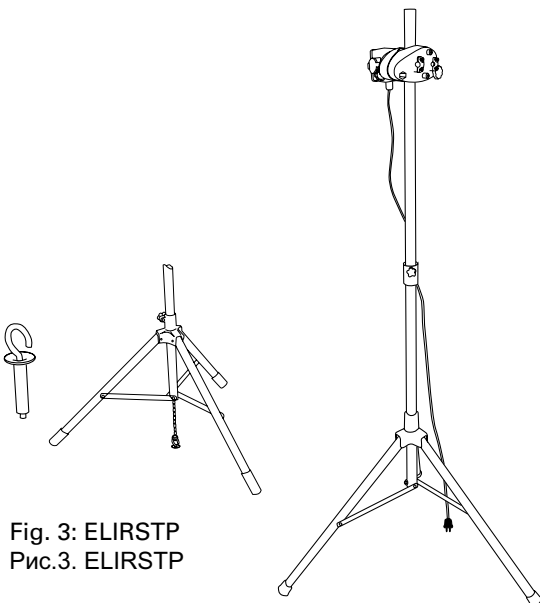


Fig. 3: ELIRSTP  
Рис.3. ELIRSTP

**Adjusting heater angles**  
**Регулировка угла наклона**

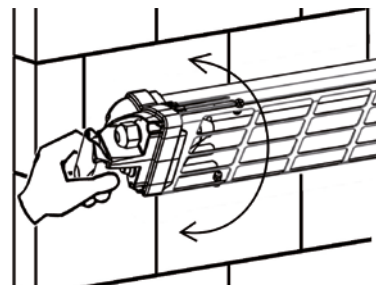


Fig. 4  
Рис. 4

## Mounting and operating instructions

### General instructions

Read these instructions carefully before installation and use. Keep this manual for future reference. During installation and maintenance and when replacing the lamp the heater should always be disconnected from the power supply.

The element of ELIR is a halogen quartz lamp that is operating at about 2200 °C. The expected lifetime of the lamp is depending on the ambient temperature and where the heater is installed. When it is mounted airy and outdoor the lamp will live longer. *The guarantee is only valid if the heater is installed and used in a way that is described in this instruction.*

### Application area

This infrared heater is tested and approved according to the EMC- and LVD regulations and is CE compliant. Thanks to the high protection class IP65 it is suitable for installation outdoors.

Normally ELIR is used to give comfort for people in the area in front of or under the heater, but it can also be used for drying. The wet surface will be heated by the radiation and the evaporation goes faster.

In winter ELIR also can be used for defrosting purposes.

### Mounting

After unpacking make sure that the appliance is complete and shows no signs of visible damage.

Make sure that the voltage is the same as indicated on the rating label.

ELIR must be mounted at least 1,8 m above the floor.

When the heater is mounted at 2 – 3 m height on a wall the heat radiation covers approximately an area of 2,5 x 4 m. The best comfort is experienced when a person is heated from two directions.

Enclosed in the package there is a wall bracket. Make sure that the wall is firm and

that proper screws are used.

Fig. 2-4 show other mounting alternatives. The parts needed for such installations are to be purchased separately.

Following important notes must be followed:

- The heater should always be installed horizontally and only by using the brackets provided.
- The heater must not be located directly below a wall socket.
- The minimum distances according to page 2 must be kept.
- Do not use the heater directly near a bathtub, a shower or a swimming pool.
- The heater must not be installed in areas where hazardous vapours may be present.

### Electrical installation

The electrical installation should be carried out by a qualified electrician and in conformity with prevailing regulations. When fixed an all-pole switch with at least 3 mm breaking gap should precede the appliance.

If a cable connects the heater it should be of type H05 RN-F 3 x 1 or similar.

N.B: The cable glands must be classified as the heater.

### Start up (E)

When the unit is used for the first time or after a long period of disuse, smoke or odour may result from dust or dirt that has collected on the element. This is completely normal and disappears after a short time.

### Operation

- All users should be made aware of all aspects of operation and safety mentioned in this instruction.
- The appliance is only to be used according to these instructions.
- Children or incompetent persons must not use this appliance.
- Do not touch the heater with wet hands or with bare feet.

- Avoid improper use of extension cords.
- Ensure that the heater is aiming its warmth into the target area. After you have loosened the screws locking the heater to the bracket adjust the angle as shown on page 3.
- If the appliance is not used for a long period, disconnect it from the power supply.

### Maintenance

When the unit is used for the first time or after a long period of disuse, smoke or odour may result from dust or dirt that has collected on the element. This is completely normal and disappears after a short time.

During maintenance the heater must be disconnected from the power supply.

The heater contains no moving parts and therefore very little maintenance is required other than to ensure that there is no excessive build-up of dust/dirt on the reflector or lamp as this can cause overheating and premature lamp failure.

To clean the appliance, wipe off with a damp cloth.

### Replacement of lamp

A qualified person shall replace the lamp and the gaskets.

The lamp is robust and if knocks and shock vibrations are avoided it will run for a long time. The expected lifetime of the lamp is depending on the ambient temperature and where the heater is installed. When it is mounted airy the lamp will live longer.

When the lamp is to be replaced the red silicon gaskets also must be changed. The gaskets must also be replaced before if there are signs of aging.

### Residual current circuit breaker (E)

When the installation is protected by means of a residual current circuit breaker, which trips when the appliance is connected, this may be due to moisture in the heating element. When an appliance containing a heater element has not been used for a long

period or stored in a damp environment, moisture can enter the element.

This should not be seen as a fault, but is simply rectified by connecting the appliance to the mains supply via a socket without a safety cut-out, so that the moisture can be eliminated from the element. The drying time can vary from a few hours to a few days. As a preventive measure, the unit should occasionally be run for a short time when it is not being used for extended periods of time.

### Safety

- *For all installations of electrically heated products should a residual current circuit breaker 300 mA for fire protection be used.*
- *During operation the surfaces of the unit are hot!*
- *The unit must not be fully or partially covered with inflammable materials, as overheating can result in a fire risk!*
- *This appliance can be used by children aged from 8 years and above and persons with reduced physical, sensory or mental capabilities or lack of experience and knowledge if they have been given supervision or instruction concerning use of the appliance in a safe way and understand the hazards involved. Children shall not play with the appliance. Cleaning and user maintenance shall not be made by children without supervision.*
- *The heater is equipped with a protective grille to prevent contact or to prevent large objects from touching the hot lamp. The unit must not be used without this protective grille.*
- *Ensure that there are no inflammable materials gathered on or close to the heater.*
- *The free space to the inflammable material in the direction of radiation must be at least 1 meter.*



**Main office**

Frico AB  
Box 102  
SE-433 22 Partille  
Sweden

Tel: +46 31 336 86 00

mailbox@frico.se  
www.frico.se

**For latest updated information and information  
about your local contact: [www.frico.se](http://www.frico.se)**