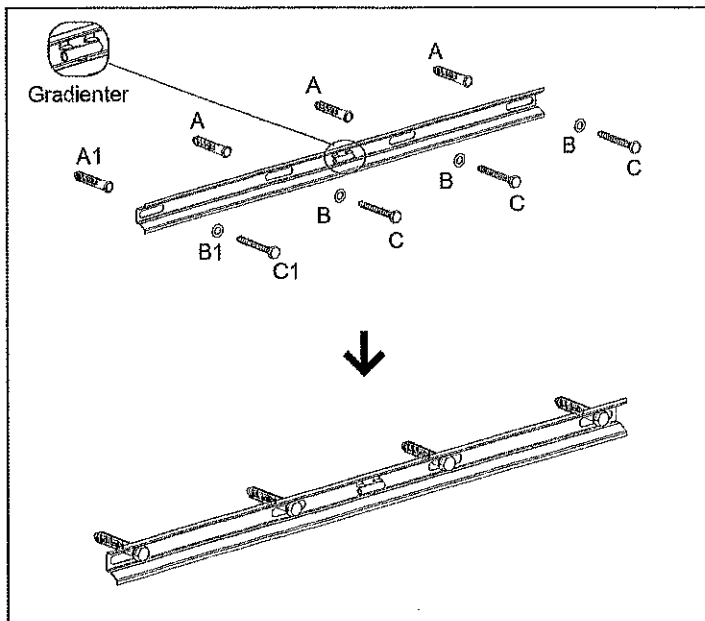
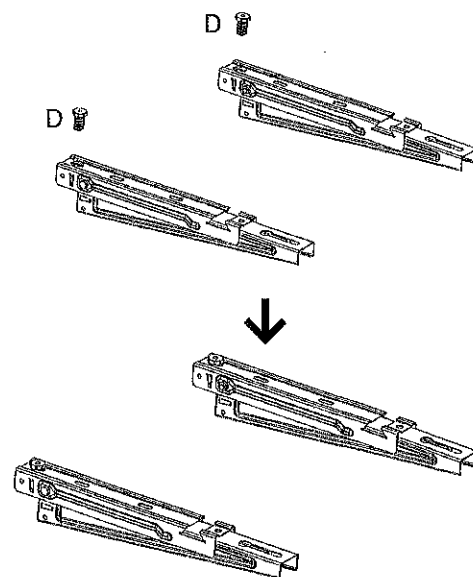


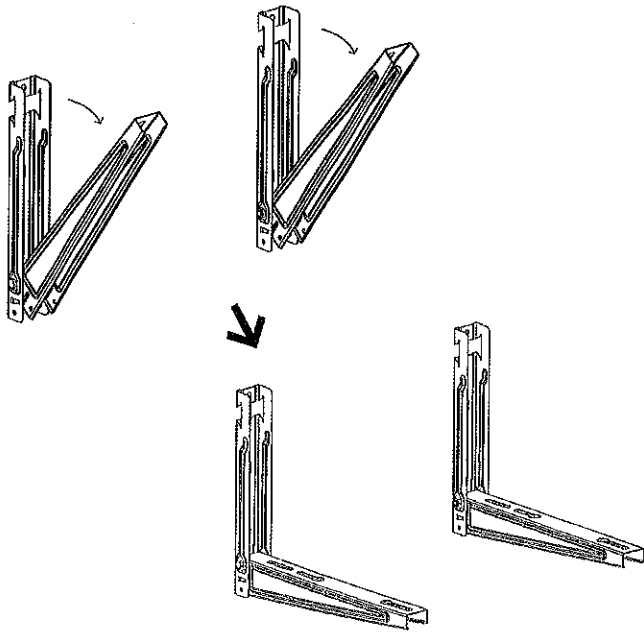
A	B	C	D	E	F	G	H	I	J	K	L
Ø14	Ø20	Ø9.5	M17	M8	M6	Ø24	Ø16	M8	M8	M6	Ø38
X4	X4	X4	X2	X2	X2	X4	X8	X4	X6	X2	X4



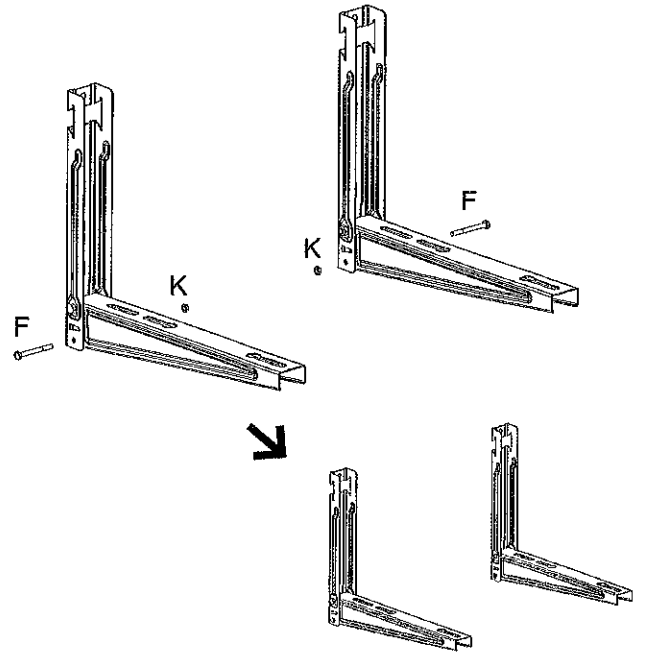
- ① Mount A1 to the wall first, and then fasten the beam with B1 and C1
- ② Use level-meter to secure the position of the whole beam



- ③ Install angle regulator between the vertical and horizontal arms

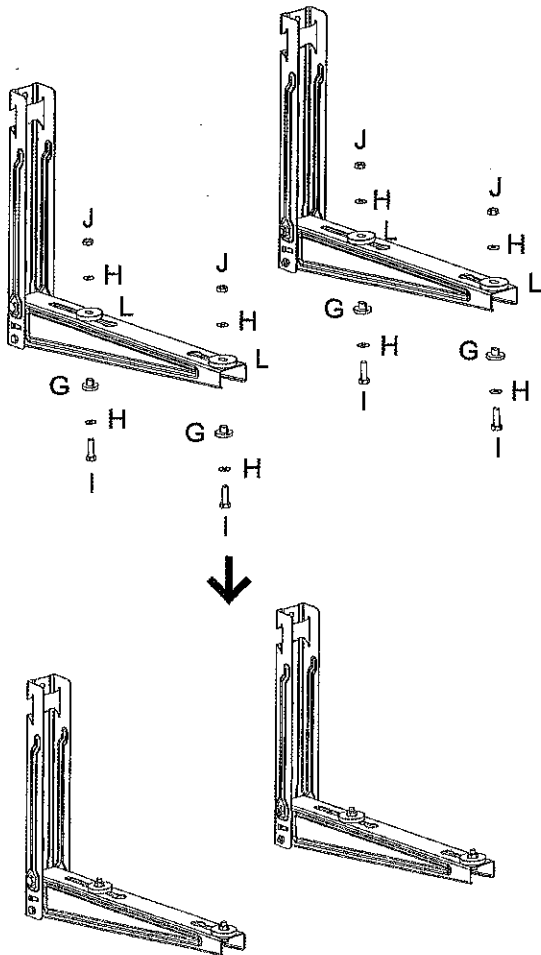


④ Unfold the combined horizontal and vertical arms

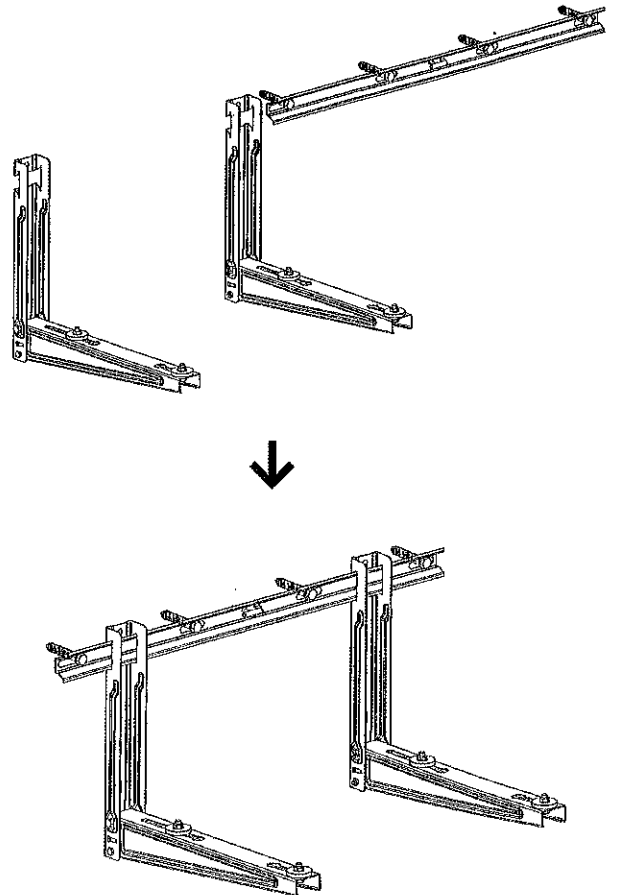


⑤ Mount the reinforcing screws

3 4



⑥ Mount anti-vibration pad



⑦ Snap the 2 pair of vertical and horizontal arms in the beam fastened on the wall

5 6