

Bewegung durch Perfektion



Die Königsklasse in Lufttechnik, Regeltechnik und Antriebstechnik

Product documentation

Type
Housing

Article number
349124

Article number
349124

The Royal League Die Königsklasse

Product documentation

ZIEHL-ABEGG Contact
Thorsten Clement
Tel. +49 7940 16 768
thorsten.clement@ziehl-abegg.de
ZIEHL-ABEGG Subsidiary
Headquarters
ZIEHL-ABEGG SE
Heinz-Ziehl-Straße
74653 Künzelsau
Tel. +49 7940 16-0
Fax +49 7940 16-300
info@ziehl-abegg.de
www.ziehl-abegg.de

Type
Housing

Article number
349124

Contents

1.	Recitals	4
2.	Product specification - Technical data	5
3.	Drawing	6

1. Recitals

The Product Specifications contained in this document are final, unless otherwise stated by a separate provision in the "ZIEHL-ABEGG deviation list document" with respect to information provided by the customer (cp. separate Chapter: Attachment).

Other regulations between the parties, regardless of time, form or content, are not part of the subject matter of the contract and the agreement on characteristics/of features (Product Specifications) between the parties.

Compliance with the following specifications is mandatory to ensure the functionality and safety of the product. If the following specifications given especially but not limited for operating conditions, transport, storage, mounting, start-up, maintenance and repair are not observed, the product may not operate safely and may cause a hazard to the life and limb of users and third parties.

Deviations from the following requirements may therefore lead both to the loss of the statutory material defect liability rights and to the liability of the buyer for the product that has become unsafe due to the deviation from the specifications.

2. Product specification - Technical data

Article number	349124	
Type	Housing	
Designation		
Rated values		
Electrical connection		
ErP Data		
Type	CDN4G	
ZIEHL-ABEGG brand	---	
Protection class	IP65	
Min. ambient temp.	-25	°C
Max. ambient temp.	40	°C
Version	---	
Dimensions	102x177x105	mm
Weight	0,34	kg

Specific application/Intended purpose:

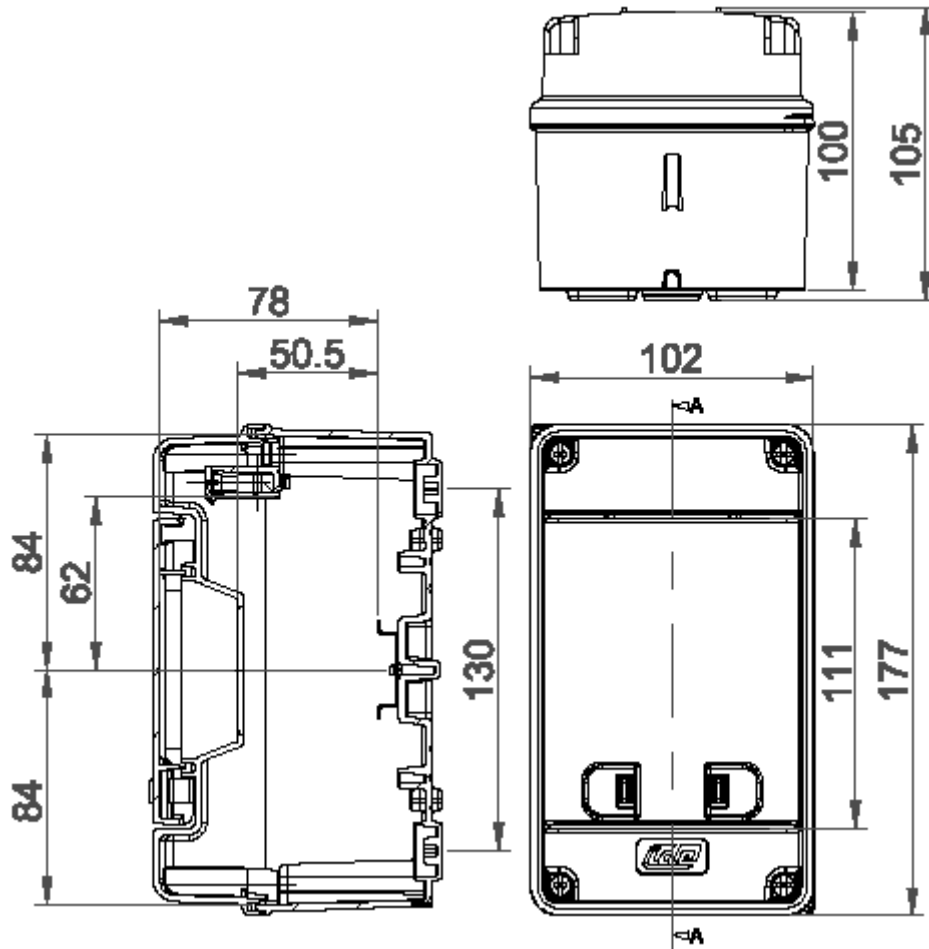
This product was designed with the above-mentioned features.

Suitability of the product for specific application is beyond the control of ZIEHL-ABEGG.

ZIEHL-ABEGG can therefore neither guarantee nor prove the suitability of this product for the specific application or customer's intended purpose.

The customer is responsible for testing and releasing the product for his intended application.

3. Drawing



Dimensions in mm

The illustrations shown make no claim to completeness and are for orientation purposes only.

